



Valves, Automation & Controls

# 1-PIECE UNI-BODY BALL VALVE

## Design Features

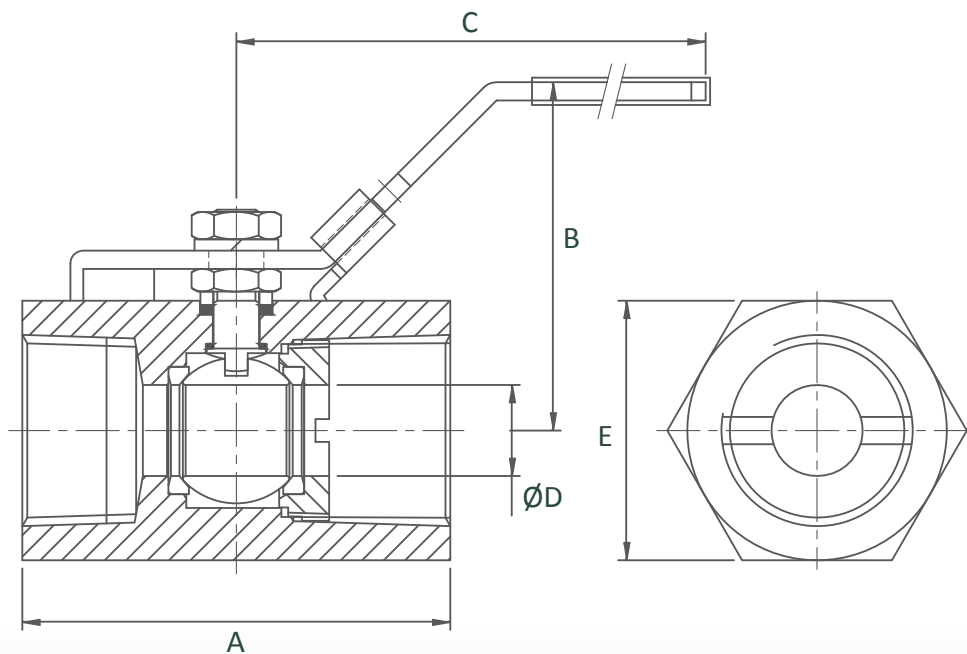
- Reduced Port
- 2000 CWP
- Carbon Steel ASTM A108
- Threaded End Connections
- Blow-Out Proof Stem
- Lockable Lever Handle



## Applicable Standards

- NACE MR-1075-(2002)
- Threaded Ends ASME B16.11

## Dimensions



Dimensions (Inches)

Size	A	B	C	ØD	E
1/4	1.73	1.24	2.76	0.20	0.75
3/8	1.89	1.28	3.15	0.28	0.83
1/2	2.44	2.22	4.13	0.35	1.14
3/4	2.76	2.34	4.13	0.49	1.38
1	3.39	2.17	4.45	0.59	1.61
1-1/4	3.70	2.99	5.71	0.79	2.24
1-1/2	4.02	3.07	5.71	0.98	2.24
2	4.49	3.27	7.09	1.26	2.89

USA 800-766-0076

Fax 323-890-4456

www.smithcooper.com

www.sharpevalves.com

Los Angeles, CA

Chicago, IL

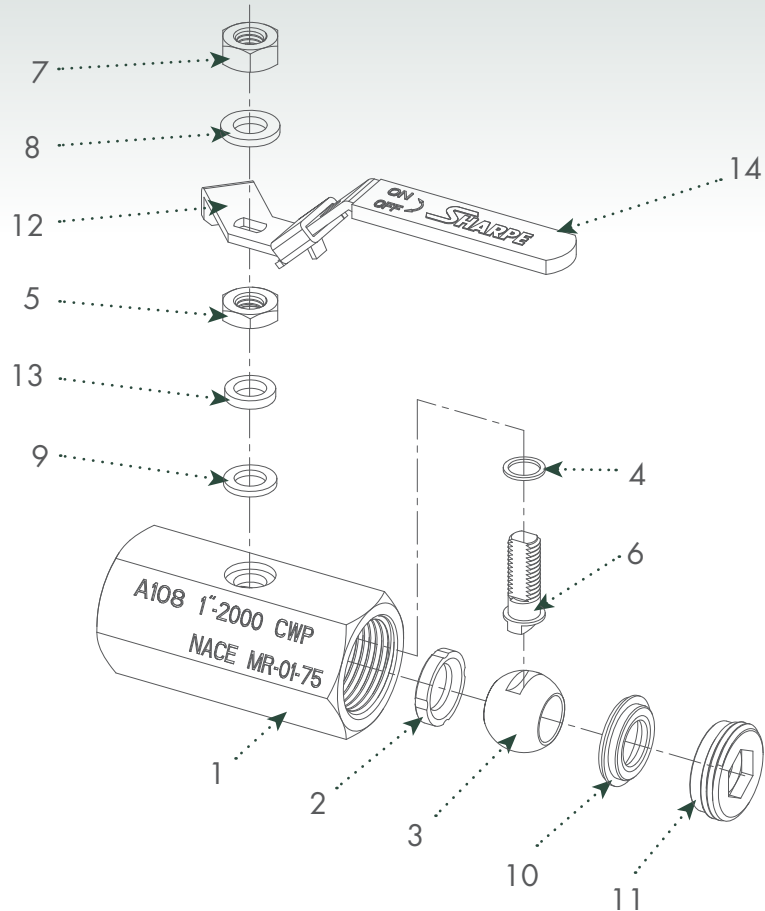
Atlanta, GA

Vancouver, WA

Houston, TX

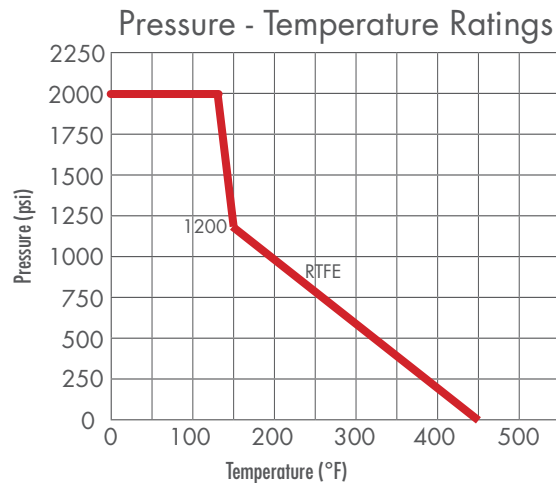
## Parts & Materials

No.	Part Name	Qty	Material
1	Body	1	Carbon Steel ASTM A108
2	Seat	1	RTFE
3	Ball	1	304 Stainless Steel
4	Thrust Washer	1	PTFE
5	Packing Nut	1	300 Series Stainless Steel
6	Stem	1	304 Stainless Steel
7	Handle Nut	1	Zinc Plated Steel
8	Handle Washer	1	Zinc Plated Steel
9	Stem Packing	1	PTFE
10	Seat	1	RTFE
11	Retainer	1	Carbon Steel ASTM A108
12	Handle	1	Zinc Plated Steel
13	Gland Packing	1	304 Stainless Steel
14	Handle Sleeve	1	PVC



## Technical Information

Size	C <sub>v</sub>	Weight (lbs.)
1/4	2	0.2
3/8	2.5	0.3
1/2	5	0.7
3/4	10	1.0
1	15	1.5
1-1/4	30	3.4
1-1/2	50	3.2
2	70	5.9



## How to Order

Size	Series
1/4	58B74
3/8	
1/2	
3/4	
1	
1-1/4	
1-1/2	
2	

Example: 1/4 58B74 = 1/4"-58B74