



Valves, Automation & Controls

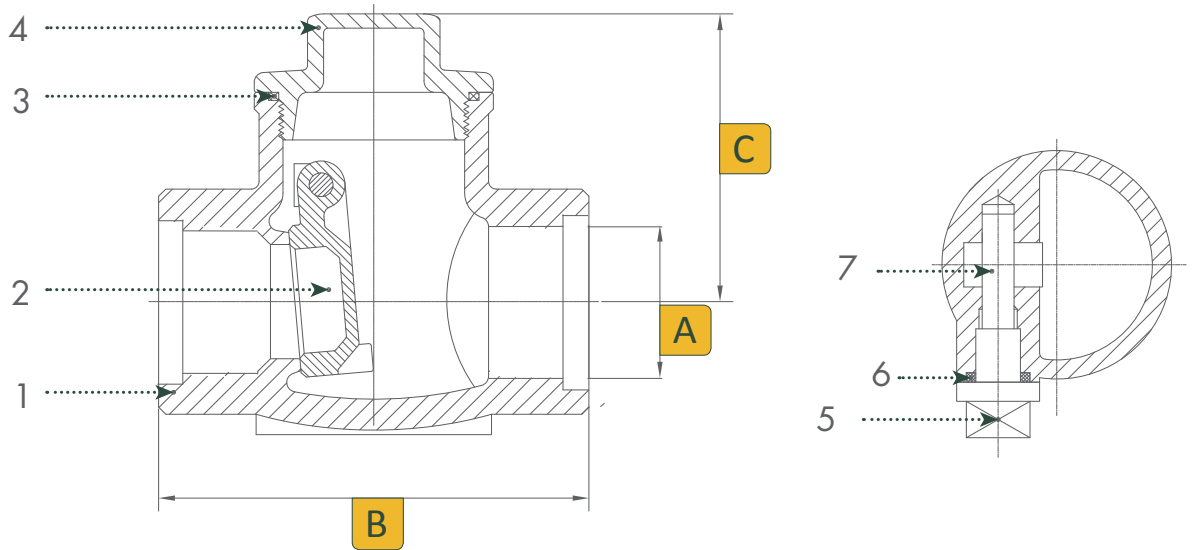
Series 20276
SWING CHECK VALVE

Design Features

- 200 WOG
- 316 stainless steel
- Threaded in cap
- Threaded or socket weld ends
- Hydrostatic shell test at 300 psi



Dimensions, Parts & Materials



Dimensions (Inches)

Size	A	B	C
1/4	0.55	2.54	1.85
3/8	0.69	2.54	1.85
1/2	0.85	2.54	1.85
3/4	1.06	2.93	2.07
1	1.32	3.51	2.24
1-1/4	1.66	4.10	2.73
1-1/2	1.90	4.68	2.89
2	2.40	5.42	3.18
2-1/2	2.88	6.08	3.55
3	3.50	7.29	3.94

No.	Part Name	Qty	Material
1	Body	1	316 Stainless Steel
2	Disc	1	316 Stainless Steel
3	Seal	1	PTFE
4	Bonnet	1	316 Stainless Steel
5	Plug	1	316 Stainless Steel
6	Seal	1	PTFE
7	Pin	1	316 Stainless Steel

USA 800-766-0076

Fax 323-890-4456

www.smithcooper.com

www.sharpevalves.com

Los Angeles, CA

Chicago, IL

Atlanta, GA

Vancouver, WA

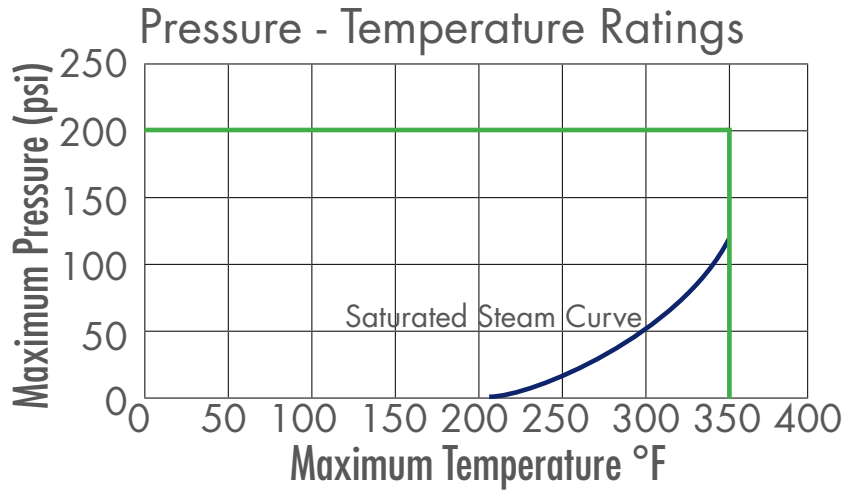
Houston, TX



Valves, Automation & Controls

Series 20276 SWING CHECK VALVE

Technical Information



How to Order

Size	Series	Ends	
1/4	20276	TE	Threaded
3/8		SW	Socket Weld
1/2			
3/4			
1			
1-1/4			
1-1/2			
2			
2-1/2			
3			

Example: 1 - 20276 - TE = 1-20276-TE

Due to continuous development of our product range, we reserve the right to change the dimensions and information for this product as required.