



Valves, Automation & Controls 6000# SEAL WELD BALL VALVE

Design Features

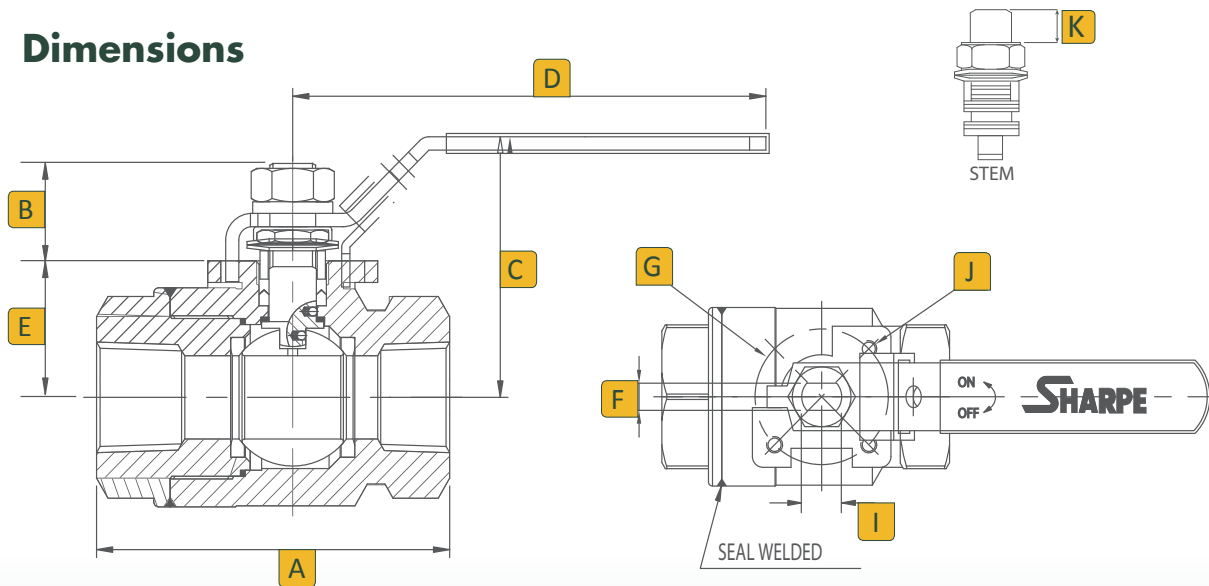
- 6000 CWP
- Carbon Steel ASTM A216 WCB
316 Stainless Steel ASTM A351 CF8M
- Threaded Ends with Delrin Seats and PTFE Seals
- Live Loaded, Blow-Out Proof Stem
- Anti-Static Device
- Mounting Pad
- Lockable Lever Handle



Applicable Standards

- Mounting Dimensions ISO 5211
- Threaded Ends ASME B16.11
- Shell and Seat Pressure Test ASME B16.34
- NACE (2002, wetted parts only) MR-0175

Dimensions



Dimensions (Inches)

Size	A	B	C	D	E	F	G	I	J	K
1/4	2.80	0.50	2.42	4.17	0.96	0.20	F03 (1.41)	0.31	M5	0.23
3/8	2.80	0.50	2.42	4.17	0.96	0.20	F03 (1.41)	0.31	M5	0.23
1/2	3.19	0.50	2.42	4.17	0.96	0.20	F03 (1.41)	0.31	M5	0.23
3/4	3.78	0.83	2.60	5.06	1.24	0.28	F04 (1.65)	0.39	M5	0.45
1	4.25	1.14	3.08	6.50	1.61	0.39	F05 (1.96)	0.55	M6	0.75
1-1/4	4.72	1.19	3.27	6.50	1.80	0.39	F05 (1.96)	0.55	M6	0.79
1-1/2	5.12	1.56	4.38	8.58	2.39	0.47	F07 (2.76)	0.75	M8	1.06
2	5.91	1.56	4.38	8.58	2.39	0.47	F07 (2.76)	0.75	M8	1.06

USA 800-766-0076

Fax 323-890-4456

www.smithcooper.com

www.sharpevalves.com

Los Angeles, CA

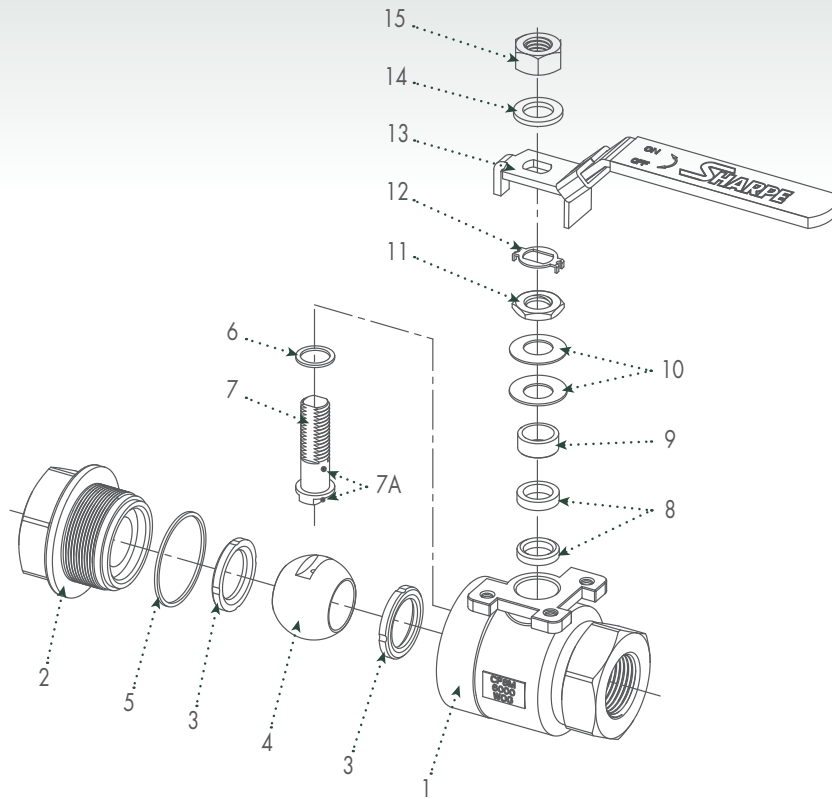
Chicago, IL

Atlanta, GA

Vancouver, WA

Houston, TX

Parts & Materials

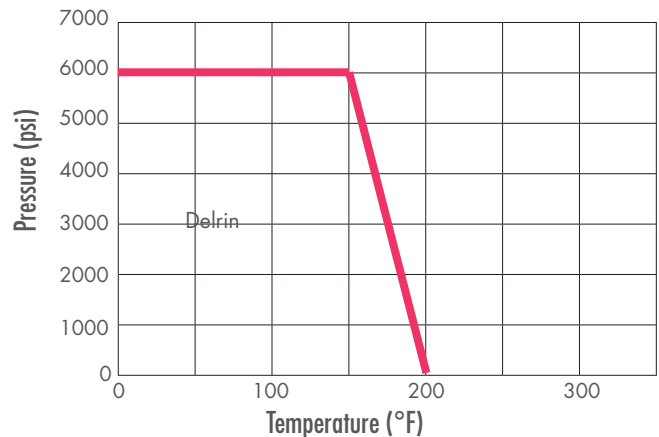


No.	Part Name	Material	Qty
1	Body	Carbon Steel ASTM A216 WCB or 316 Stainless Steel ASTM A351 CF8M	1
2	End Piece	Carbon Steel ASTM A216 WCB or 316 Stainless Steel ASTM A351 CF8M	1
3	Seat	Delrin	2
4	Ball	316 Stainless Steel ASTM A351 CF8M	1
5	Body Seal	PTFE	1
6	Thrust Bearing	PTFE	1
7	Stem	17-4 PH	1
7A	Anti-static Device	316 Stainless Steel	1
8	Stem Packing	PTFE	2
9	Gland Packing	300 Series Stainless Steel	1
10	Belleville Washer	300 Series Stainless Steel	2
11	Packing Nut	300 Series Stainless Steel	1
12	Lock Tab	300 Series Stainless Steel	1
13	Handle	300 Series Stainless Steel	1
14	Lock Washer	300 Series Stainless Steel	1
15	Handle Nut	300 Series Stainless Steel	1

Technical Information

Size	Port Size	C _v	Weight (lbs.)
1/4	0.37	7	1.2
3/8	0.37	8	1.2
1/2	0.49	10	1.5
3/4	0.79	35	2.8
1	0.99	68	4.9
1-1/4	1.26	110	7.4
1-1/2	1.50	155	12.1
2	1.50	155	14.8

Pressure - Temperature Ratings



How to Order

Size	Series	Body	Stem
1/4	50F7	4 Carbon Steel	7 17-4PH
3/8		6 Stainless Steel	
1/2			
3/4			
1			
1-1/4			
1-1/2			
2			

Example: 1 1/2 + 50F7 + 4 + 7 = 1 1/2"-50F747