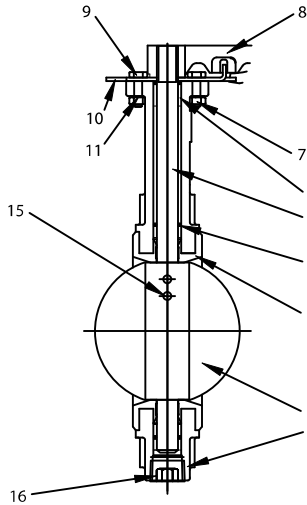


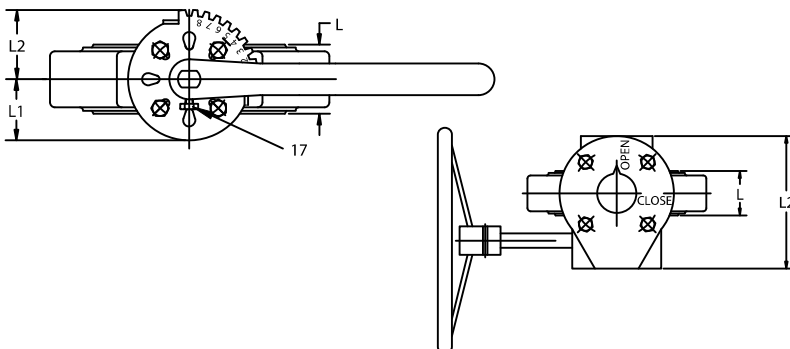
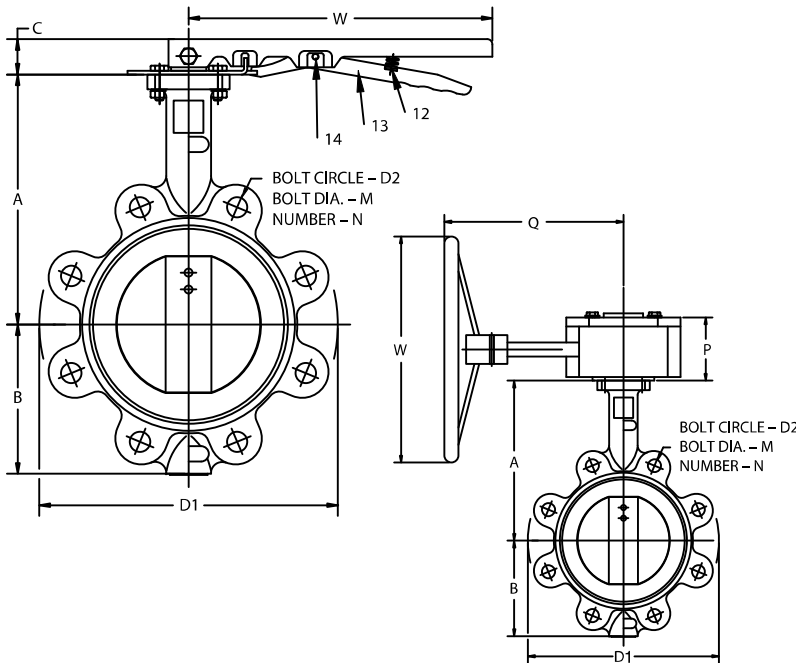
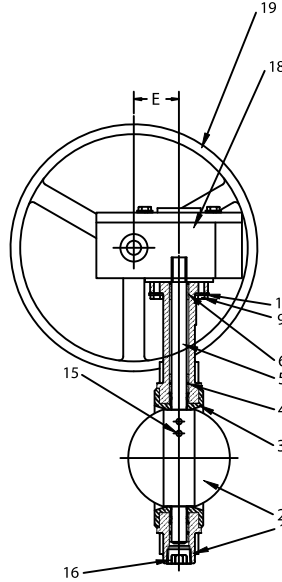
Figures LG-712-BS3-E-M / LG-722-BS3-E-M

200 CWP • Lug Body • Lever or Handwheel Gear Operated

**LG-712-BS3-E-M
Lever Operated**



**LG-722-BS3-E-M
Handwheel Gear Operated**



Materials of Construction

No.	Description	Material	ASTM Spec.
1	Body	Cast Iron	A-126 CL. B
2	Disc	Aluminum Bronze	B-148 Alloy C95400
3	Molded-In Liner	EPDM	
4	O-Ring	Buna-N	
5	Shaft	416SS	A-582 Type 416
6	Bushing	PTFE	
7	Nut ¹	Carbon Steel	A-575 AISI 1018
8	Handle ¹	Ductile Iron	
9	Bolt	Carbon Steel	
10	Indicator Plate ¹	Carbon Steel	
11	Washer	Carbon Steel	
12	Spring ¹	Stainless Steel	
13	Latch ¹	Ductile Iron	
14	Roll Pin ¹	Carbon Steel	
15	Taper Pin	Stainless Steel	
16	Plug	Carbon Steel	
17	Screw ¹	Carbon Steel	
18	Gear Box ²		
19	Handwheel ²	Cast Iron	

NOTES:

- ¹ Lever Operated only.
- ² Gear Operated Handwheel only.
- "L" dimension is elastomer shown is relaxed condition. Approximately 1/8" total compression required for seal.
- Line flange dimensions comply with ASME B16.1.
- Body's mounting flange complies with ISO 5211.
- Order parts by item number, valve size and figure number.
- Meets MSS SP-25, API 609, MSS SP-67.

Dimensions

Size	A	B	712 C	712 D1	722 D1	D2	722 E	L	712 L1
2	6.37	3.15	1.25	6.09	4.00	4.75	1.77	1.815	2
2½	6.87	3.50	1.25	7.06	4.75	5.50	1.77	1.933	2
3	7.12	3.75	1.25	7.50	5.12	6.00	1.77	1.929	2
4	7.12	4.50	1.25	8.65	6.75	7.50	1.77	2.177	2
5	8.37	5.00	1.25	10.00	7.75	8.50	2.14	2.315	2
6	8.87	5.46	1.25	11.25	8.62	9.50	2.14	2.327	2
8	10.25	7.77	1.75	13.37	10.56	11.75	2.67	2.524	3
10	11.50	8.00	1.75	16.00	13.06	14.25	2.67	2.799	3
12	13.25	9.53	1.75	18.81	16.12	17.00	2.67	3.189	3

Size	712 L2	722 L2	M	N	722 P	722 Q	712 W	722 W
2	2.50	5	0.69	4	2.953	9.370	10.50	11.81
2½	2.50	5	0.69	4	2.953	9.370	10.50	11.81
3	2.50	5	0.69	4	2.953	9.370	10.50	11.81
4	2.50	5	0.69	8	2.953	9.370	10.50	11.81
5	2.50	6.016	0.81	8	3.307	9.370	10.50	11.81
6	2.50	6.016	0.81	8	3.307	9.370	10.50	11.81
8	3.681	6.732	0.81	8	3.307	8.898	14.00	11.81
10	3.681	6.732	0.94	12	3.307	8.898	14.00	11.81
12	3.681	6.732	0.94	12	3.307	8.898	14.00	11.81

Inches