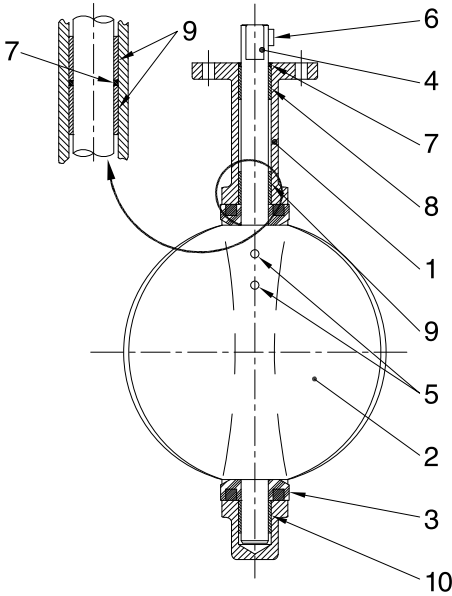


# Figure LD-722

## 200 CWP • Lug Body • Handwheel Gear Operated



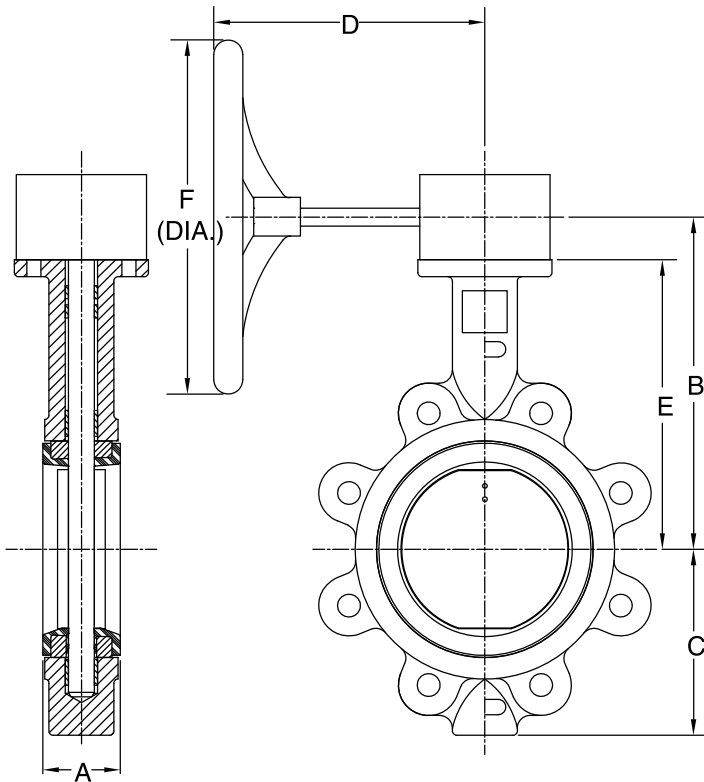
### Materials of Construction

No.	Description	Material	ASTM Spec.
1	Body - Epoxy Coated	Ductile Iron	A-536 Gr. 65-45-12
2	Disc	Ductile Iron Stainless Steel Aluminum Bronze	A-536 Gr. 65-45-12 A-351 Gr. CF8M B-148 Alloy C95400
*3	Seat	Buna-N EPDM, Viton®	
4	Shaft	316 Stainless Steel 416 Stainless Steel	A-276 Type 316 A-582 Type 416
*5	Taper Pin	300 Series Stainless	
6	Key	Carbon Steel	A-575 AISI 1018
*7	O-Ring	Buna-N	
8	Bushing	PTFE	
9	Bushing	PTFE	
10	Bushing	PTFE	

\* Recommended spare parts.

#### Notes:

1. Line flange dimensions comply with ASME B16.5.
2. MSS SP-67 Type I.
3. Order parts by item number, valve size and figure number.



### Dimensions and Weights

Size	Wt.	A*	B	C	D	E	F
2	21	1.75	8.00	3.19	6.00	6.38	12.00
	(9.54)	(44)	(203)	(81)	(152)	(162)	(305)
2½	22	1.88	8.50	3.50	6.00	6.88	12.00
	(9.99)	(48)	(216)	(89)	(152)	(175)	(305)
3	28	1.88	8.75	3.75	6.00	7.12	12.00
	(12.71)	(48)	(222)	(95)	(152)	(181)	(305)
4	40	2.13	9.50	4.50	9.00	7.88	12.00
	(18.15)	(54)	(241)	(114)	(229)	(200)	(305)
5	42	2.25	10.00	5.00	9.00	8.38	12.00
	(19.06)	(57)	(254)	(127)	(229)	(213)	(305)
6	45	2.31	10.50	5.50	9.00	8.88	12.00
	(20.42)	(59)	(267)	(140)	(229)	(226)	(305)
8	67	2.50	11.75	6.88	9.00	10.25	12.00
	(30.41)	(64)	(298)	(174)	(229)	(260)	(305)
10	90	2.75	13.00	8.00	9.00	11.50	12.00
	(40.84)	(70)	(330)	(203)	(229)	(292)	(305)
12	123	3.12	14.75	9.13	9.00	13.25	12.00
	(55.81)	(79)	(375)	(244)	(229)	(337)	(305)

Inches (millimeters) - Pounds (kilograms)

\*A dimension is listed with elastomer in relaxed condition.