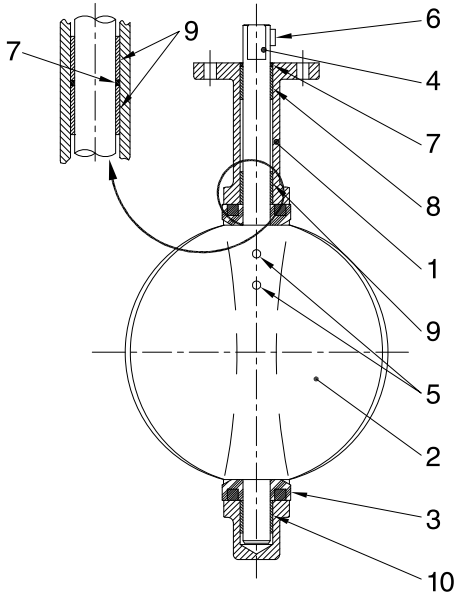


Figure LD-712

200 CWP • Lug Body • Lever Operated



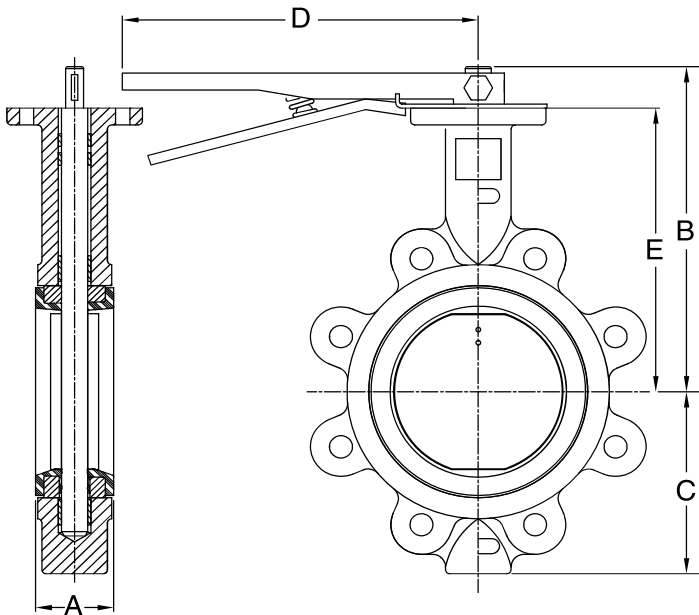
Materials of Construction

No.	Description	Material	ASTM Spec.
1	Body - Epoxy Coated	Ductile Iron	A-536 Gr. 65-45-12
2	Disc	Ductile Iron Stainless Steel Aluminum Bronze	A-536 Gr. 65-45-12 A-351 Gr. CF8M B-148 Alloy C95400
*3	Seat	Buna-N EPDM, Viton®	
4	Shaft	316 Stainless Steel 416 Stainless Steel	A-276 Type 316 A-582 Type 416
*5	Taper Pin	300 Series Stainless	
6	Key	Carbon Steel	A-575 AISI 1018
*7	O-Ring	Buna-N	
8	Bushing	PTFE	
9	Bushing	PTFE	
10	Bushing	PTFE	

* Recommended spare parts.

Notes:

1. Line flange dimensions comply with ASME B16.5.
2. MSS SP-67 Type I.
3. Order parts by item number, valve size and figure number.



Dimensions and Weights

Size	Wt.	A*	B	C	D	E
2	9	1.75	7.63	3.19	10.50	6.38
	(4.08)	(44)	(194)	(81)	(268)	(162)
2½	10	1.88	8.12	3.50	10.50	6.88
	(4.53)	(48)	(206)	(89)	(268)	(175)
3	16	1.88	8.38	3.75	10.50	7.12
	(7.25)	(48)	(213)	(95)	(268)	(181)
4	28	2.13	9.12	4.50	10.50	7.88
	(12.69)	(54)	(232)	(114)	(268)	(200)
5	30	2.25	9.63	5.00	10.50	8.38
	(13.60)	(57)	(245)	(127)	(268)	(213)
6	33	2.31	10.13	5.50	10.50	8.88
	(14.96)	(59)	(257)	(140)	(268)	(226)
8	53	2.50	12.00	6.88	14.00	10.25
	(24.03)	(64)	(305)	(174)	(356)	(260)
10	76	2.75	13.25	8.00	14.00	11.50
	(34.46)	(70)	(337)	(203)	(356)	(292)
12	109	3.12	15.00	9.63	14.00	13.25
	(49.53)	(79)	(381)	(244)	(356)	(337)

Inches (millimeters) - Pounds (kilograms)

*A dimension is listed with elastomer in relaxed condition.