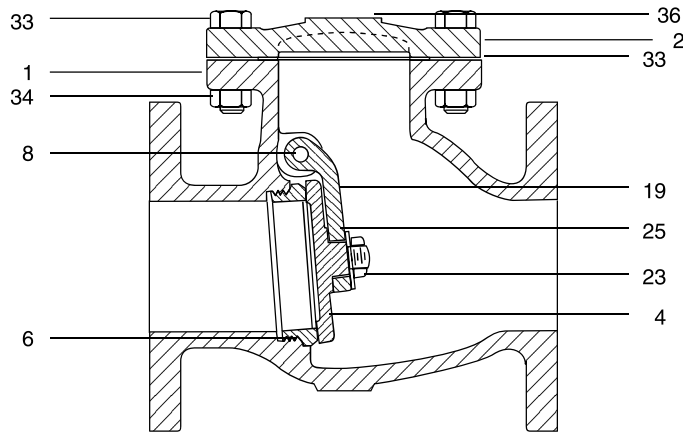


Class 125 • Bolted Cap • Bronze Trim • Flanged Ends

G-931-I International Iron Check Valve



Materials of Construction

No.	Description	Material	ASTM
1	Body	Cast Iron	A126 Class B
2	Cap	Cast Iron	A126 Class B
4	Disc	Bronze (2" - 6")	B584 C84400
		Cast Iron (8" - 12")	A126 Class B
6	Seat Ring	Bronze	B584 C84400
7	Disc Ring	Bronze (8" - 12")	B584 C84400
8	Hinge Pin	Alum Silicon Bronze (2" - 8")	B150 C64200
		Naval Brass (10" - 12")	B21 C48200
19	Hinge	Bronze (2" - 6")	B584 C84400
		Ductile Iron (8" - 12")	A536 Gr. 65-45-12
20	Disc Stud	Steel (8" - 12")	
21	Disc Stud Pin	18-8 Stainless Steel (8" - 12")	
23	Disc Nut	Brass (2" - 6")	
		Steel (8" - 12")	A563 Gr. A
24	Side Plug	Brass	
25	Disc Washer	Brass (2" - 6")	B16 C36000
		Steel (8" - 12")	A563 Gr. A
28	Hinge Pin Bushing*	Brass	B16 C36000
32	Bonnet Gasket	Aramid Fibers with SBR Binder	
33	Cap Bolt	Carbon Steel	A307 Gr. B
34	Cap Bolt Nut	Carbon Steel	A563 Gr. A
36	Identification Plate	Aluminum	

* Not shown

See page 5 for Pressure Temperature Ratings

Dimensions and Weights

Inches (millimeters) - Pounds (kilograms)

Valve Size	Dimensions		WT
	B	M	
2	4.50	8.00	25
	(114)	(203)	(11)
2 ½	5.38	8.50	30
	(137)	(216)	(14)
3	5.88	9.50	42
	(149)	(241)	(19)
4	6.62	11.50	74
	(168)	(292)	(33)
5	7.75	13.00	100
	(197)	(330)	(45)
6	8.25	14.00	125
	(210)	(356)	(56)
8	10.25	19.50	230
	(260)	(495)	(104)
10	12.00	24.50	490
	(305)	(622)	(219)
12	13.75	27.50	660
	(349)	(699)	(317)

Industry Standards
Military Specification: MIL-V-18436
MSS SP-71, Type 1

