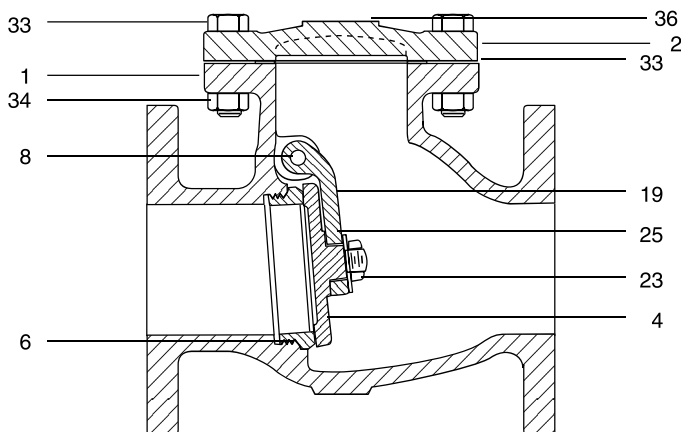


Class 125 • Bolted Cap • Bronze Trim • Flanged Ends

G-931 Check Valve



Dimensions and Weights Inches (millimeters) - Pounds (kilograms)

Valve Size	Dimensions		WT
	B	M	
2	4.50	8.00	25
	(114)	(203)	(11)
2 ½	5.38	8.50	30
	(137)	(216)	(14)
3	5.88	9.50	42
	(149)	(241)	(19)
4	6.62	11.50	74
	(168)	(292)	(33)
5	7.75	13.00	100
	(197)	(330)	(45)
6	8.25	14.00	125
	(210)	(356)	(56)
8	10.25	19.50	230
	(260)	(495)	(104)
10	12.00	24.50	490
	(305)	(622)	(219)
12	13.75	27.50	660
	(349)	(699)	(317)
14	15.50	31.00	794
	(393)	(787)	(360)
16	17.63	36.00	1020
	(447)	(914)	(462)
18	19.25	36.00	1304
	(610)	(914)	(591)
20	27.62	40.00	2590
	(702)	(1016)	(1117)
24	31	46.00	3840
	(787)	(1168)	(1745)

Materials of Construction

No.	Description	Material	ASTM
1	Body	Cast Iron	A126 Class B
2	Cap	Cast Iron	A126 Class B
4	Disc	Bronze (2" - 6")	B584 C84400
		Cast Iron (8" - 24")	A126 Class B
6	Seat Ring	Bronze (2" - 12")	B584 C84400
		Bronze (14" - 24")	B584 C84400
7	Disc Ring	Bronze (8" - 12")	B584 C84400
		Bronze (14" - 24")	B584 C84400
8	Hinge Pin	Alum Silicon Bronze (2" - 8")	B150 C64200
		Naval Brass (10" - 12")	B21 C48200
		Stainless Steel (14" - 16")	
		Stainless Steel (18" - 24")	
19	Hinge	Bronze (2" - 6")	B584 C84400
		Ductile Iron (8" - 12")	A536 Gr. 65-45-12
		Ductile Iron (18" - 24")	A536 Gr. 65-45-12
		Carbon Steel (14" - 16")	
20	Disc Stud	Steel (8" - 16")	A108
		Steel (18" - 24")	A108
21	Disc Stud Pin	18-8 Stainless Steel (8" - 16")	
		Steel (18" - 24")	
23	Disc Nut	Brass (2" - 6")	B16 C36000
		Steel (8" - 24")	A563 Gr. A
24	Side Plug	Brass (2" - 16")	B16 C36000
		Ductile Iron (18" - 24")	A536 Gr. 65-45-12
25	Disc Washer	Brass (2" - 6")	B36
		Steel (8" - 16")	
26	Lockwasher*	Steel (18" - 24")	
27	Plain Washer*	Steel (18" - 24")	
28	Hinge Pin Bushing*	Brass (2" - 12")	B16 C36000
		Bronze (14" - 16")	
32	Bonnet Gasket	Aramid Fibers with SBR Binder	
33	Cap Bolt	Carbon Steel	A307 Gr. B
34	Cap Bolt Nut	Carbon Steel	A563 Gr. A
36	Identification Plate	Aluminum	

* Not shown

See page 5 for Pressure Temperature Ratings

Industry Standards
Military Specification: MIL-V-18436
MSS SP-71, Type 1

