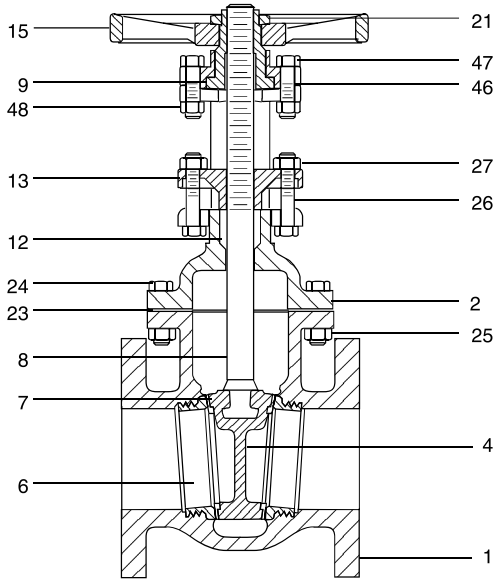


Class 125 • Bolted Bonnet • OS&Y • Bronze Trim • Flanged

G-623 Gate Valve



Dimensions and Weights Inches (millimeters) - Pounds (kilograms)

Valve Size	Dimensions			WT
	B	C	M	
2	14.75	8.00	7.00	33
	(375)	(203)	(178)	(15)
2 1/2	16.06	8.00	7.50	47
	(408)	(203)	(191)	(21)
3	17.38	8.00	8.00	58
	(441)	(203)	(203)	(26)
4	21.44	10.00	9.00	97
	(545)	(254)	(229)	(44)
5	25.81	10.00	10.00	135
	(656)	(254)	(254)	(61)
6	30.31	12.00	10.50	162
	(770)	(305)	(267)	(73)
8	37.75	14.00	11.50	280
	(959)	(356)	(292)	(126)
10	49.41	18.00	13.00	502
	(1255)	(457)	(330)	(228)
12	56.81	18.00	14.00	670
	(1442)	(457)	(356)	(304)
14	64.88	20.00	15.00	1093
	(1648)	(508)	(381)	(496)
16	75.25	22.00	16.00	1425
	(1911)	(559)	(406)	(647)
18	82.00	22.00	17.00	1738
	(2083)	(559)	(432)	(789)
20	90.62	24.00	18.00	2085
	(2302)	(610)	(457)	(946)
24	105.38	30.00	20.00	3183
	(2677)	(762)	(508)	(1445)

Materials of Construction

No.	Description	Material	ASTM
1	Body	Cast Iron	A126 Class B
2	Bonnet	Cast Iron	A126 Class B
4	Disc	Bronze (2")	B61 C92200
		Bronze (2 1/2" & 3")	B584 C84400
		Cast Iron (4" - 24")	A126 Class B
6	Body Seat Ring	Bronze	B584 C84400
7	Disc Seat Ring	Bronze	B584 C84400
8	Stem	Manganese Bronze (2" - 12")	B584 C86400
		Brass (14" - 36")	
9	Yoke Sleeve	Manganese Bronze (2" - 12")	B584 C86400
		Ductile Iron (14" - 24")	A536 Gr. 65-45-12
10	Gland*	Bronze (10" & 12")	B584 C84400
	Gland Flange*	Ductile Iron (10" & 12")	A536 Gr. 65-45-12
12	Packing	Braided Flexible Graphite with Corrosion Inhibitor	
15	Handwheel	Ductile Iron	A536 Gr. 65-45-12
21	Handwheel Nut	Sintered Nickel Steel (2" - 8")	B484 Gr. 2 CL B Type II
		Ductile Iron (10" - 24")	A536 Gr. 65-45-12
23	Bonnet Gasket	Aramid Fibers with SBR Binder	
24	Bonnet Bolt	Carbon Steel	A307 Gr. B
25	Bonnet Bolt Nut	Carbon Steel	A563 Gr. A
26	Gland Bolt	Carbon Steel (2" - 12")	A307 Gr. B
26	Gland Eyebolt*	Carbon Steel (14" - 24")	
27	Gland Bolt Nut	Carbon Steel	A563 Gr. A
46	Yoke Cap	Ductile Iron (2" - 8")	A536 Gr. 65-45-12
		Cast Iron (10" - 12")	A126 Class B
47	Yoke Cap Bolt	Carbon Steel (2" - 12")	A307 Gr. B
48	Yoke Cap Bolt Nut	Carbon Steel (2" - 12")	A563 Gr. A
49	Stem Collar Seat*	Brass (14" - 24")	
50	Disc Pin*	Brass (14" - 24")	
51	Yoke Bolt*	Carbon Steel (14" - 24")	
52	Yoke Bolt Nut*	Carbon Steel (14" - 24")	
53	Yoke to Bonnet Bolt*	Carbon Steel (14" - 24")	
54	Backseat Bushing*	Brass (14" - 24")	
55	Eyebolt Pin*	Carbon Steel (14" - 24")	
56	Yoke*	Cast Iron (14" - 24")	

* Not shown
See page 5 for Pressure Temperature Ratings

Industry Standards

MSS SP-70, Type 1

