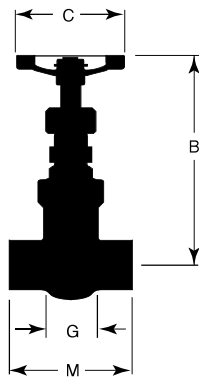
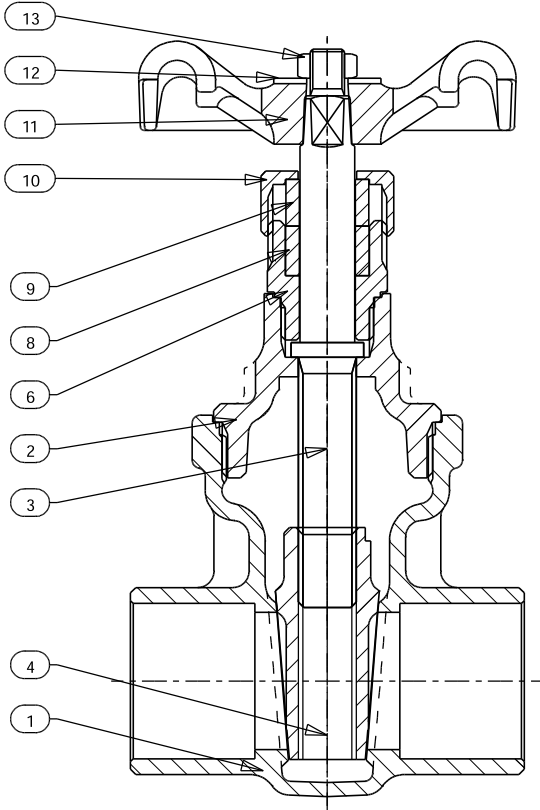


200 CWP • Threaded Bonnet • Non-Rising Stem • Solder Ends

Gate Valve Figure B-104



Materials of Construction

No.	Description	Material	ASTM Spec.
1	Body	Bronze	B-62 C83600
2	Bonnet	Bronze	B-62 C83600
3	Stem	Copper Silicon Bronze	B-371 C69400
4	Disc	Bronze	B-62 C83600
6	Stuffing Box	Copper Silicon Brass	B-124 C37700
8	Packing Ring	Graphite (Asbestos Free)	
9	Gland	Brass	BSEN12164 CW614N
10	Packing Nut	Brass	BSEN12164 CW614N
11	Handwheel	Malleable Iron	A-197 F22000
12	ID Plate	Aluminum	
13	Handwheel Nut	Brass	BSEN12164 CW614N

NOTE:

The addition of the letter "K" at the end of the figure number designates valves assembled & tested in the USA. Materials of Construction & Dimensions are the same.

Industry Standards

Complies with MSS SP-80 Type 1

See Page 6 for Pressure-Temperature Ratings

Dimensions and Weights

Inches (millimeters) - Pounds (kilograms)

Valve Size	Dimensions				Wt.
	B	C	G*	M	
½	3.23	2.06	0.81	2.00	1.0
	(82)	(52)	(21)	(48)	(0.47)
¾	3.74	2.56	0.86	2.20	1.3
	(95)	(65)	(23)	(62)	(0.60)
1	4.64	2.75	1.04	2.50	2.0
	(118)	(70)	(27)	(73)	(0.92)
1 ¼	5.67	3.06	1.18	2.80	3.1
	(144)	(79)	(30)	(79)	(1.41)
1 ½	6.53	3.62	1.22	2.90	4.2
	(166)	(92)	(31)	(88)	(1.92)
2	7.48	4.06	1.42	3.30	6.0
	(190)	(103)	(36)	(105)	(2.72)
2 ½	9.26	5.28	1.44	4.30	12.4
	(235)	(134)	(37)	(112)	(5.62)
3	9.89	5.28	1.57	4.60	17.4
	(251)	(134)	(40)	(126)	(7.89)

*Piping Make-Up Dimensions