

P98H Dimension, Inches

Nominal Body Size, Inches	A		B	C (Maximum)	D	E (NPT)
	NPT or SWE	Flanged				
3/4, 1	5.0	14.0	1.31	9.69	6.22	1/2*

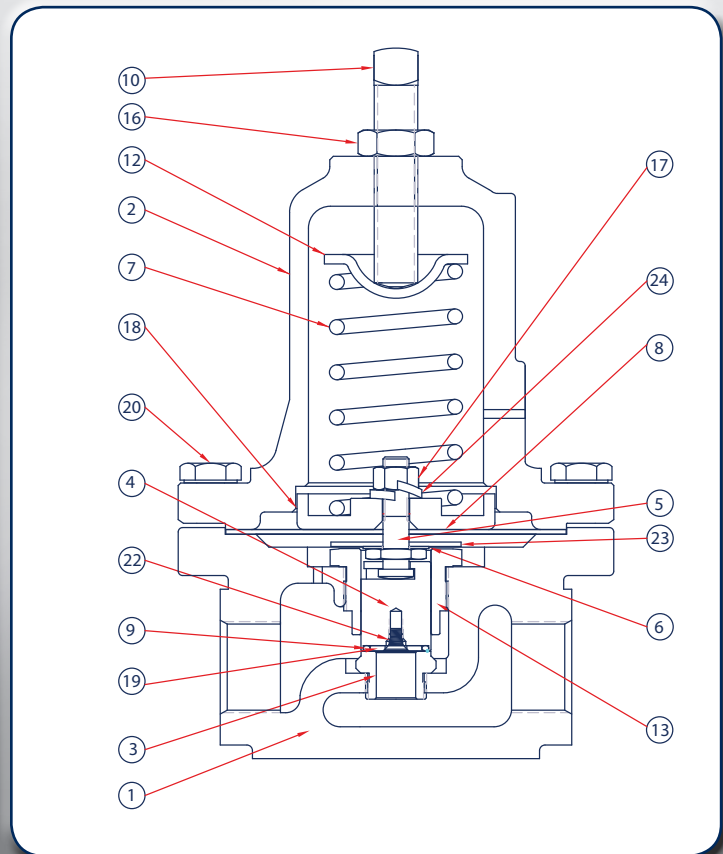
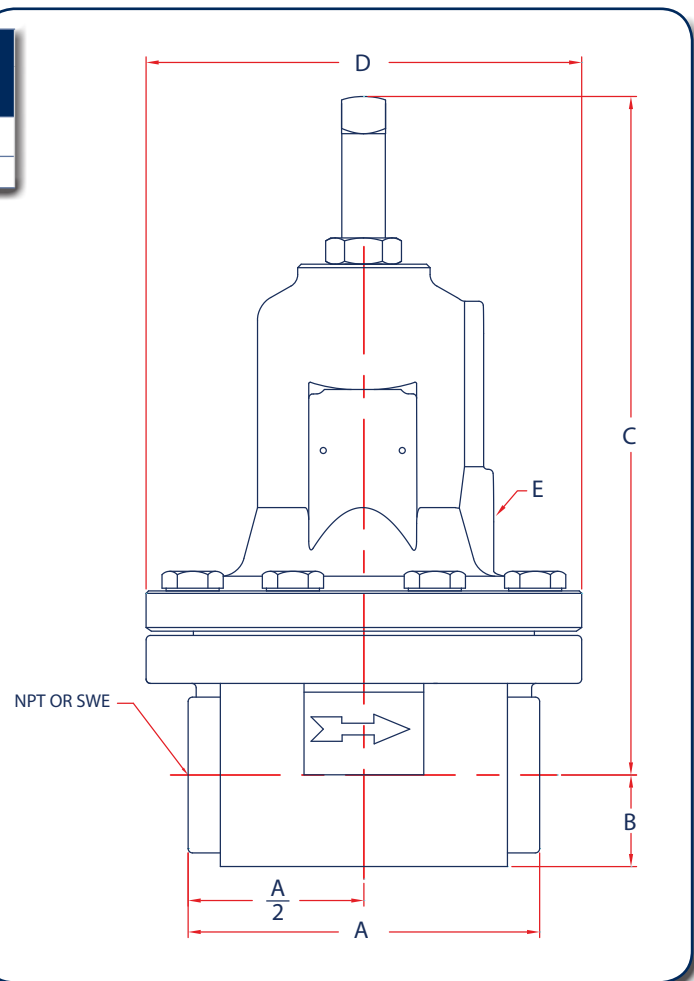
* Tapped Vent Option Only

Installation

These relief valves are installed in any position, as long as flow will be in the same direction as that of the arrow cast on the body.

P98H Parts

Item		Description	Qty.	Part Number
1	Body	Iron 3/4"	1	664-336-000
		Iron 1"		664-336-001
		Steel 3/4"		664-337-000
		Steel 1"		664-337-001
		Stainless Steel 3/4"		664-338-000
		Stainless Steel 1"		664-338-001
2	Bonnet	Steel (Drilled)	1	604-241-000
		Iron (Drilled)		604-242-000
		Stainless Steel, (Drilled)		604-245-000
		Steel, Tapped		604-243-000
		Iron, Tapped		604-244-000
		Stainless Steel, Tapped		604-246-000
3	Orifice	416 Stainless Steel / Metal to Metal	1	688-020-000
		416 Stainless Steel w/Elastomer		688-027-000
		316 Stainless Steel / Metal to Metal		688-024-000
		316 Stainless Steel w/Elastomer		688-028-000
4	Valve Plugs	416 Stainless Steel	1	639-112-000
		416 Stainless Steel / Metal to Metal		639-116-000
		316 Stainless Steel		639-117-000
		316 Stainless Steel / Metal to Metal		639-113-000
5		Pusher Post, 416 SS Elastomer	1	613-034-000
		Pusher Post, 416 SS Metal to Metal		613-036-000
		Pusher Post, 316 SS Elastomer		613-035-000
		Pusher Post, 316 SS Metal to Metal		613-037-000
6		Diaphragm Assembly Gasket	1	624-074-000
7	Range Springs	5-15 PSIG, White	1	655-753-000
		15-35 PSIG, Yellow		655-712-000
		25-75 PSIG, Green		655-712-001
		70-140 PSIG, Red		655-712-002
		130-200 PSIG, Blue		655-717-000
8	Diaphragm	Neoprene	2	618-083-000
		Fluorocarbon		618-084-000
		302 Stainless Steel		618-085-000
		Monel		618-086-000
9		O-ring - Nitrile	1	649-269-004
		O-ring - Fluorocarbon		010-380-000
		O-ring - Neoprene		649-312-000
10		Adjusting Screw - Steel	1	648-519-000
		Adjusting Screw - Stainless Steel		648-519-001
11		Diaphragm Flange Gasket	1	624-072-000
12		Spring Guide	1	626-100-000
13		Valve Plug Guide - 416 SS	1	626-103-000
		Valve Plug Guide - 316 SS		626-104-000
14		NACE Tag (Not Shown)	1	632-503-000
15		Nameplate (Not Shown)	1	632-524-000
16		Stem Jam Nut	1	634-181-000
		Stem Jam Nut - Stainless Steel		634-181-001
17		Diaphragm Assembly Locknut	1	634-184-000
18		Piston (Diaphragm Head)	1	637-324-000
19		Retainer, O-ring - 416 SS	1	643-199-000
		Retainer, O-ring - 316 SS		643-200-000
20		Build Screw - Steel	8	648-463-002
		Build Screw - Stainless Steel		648-547-000
21		Drive Screw (Nameplate)	2	648-464-000
22		Valve Plug Machine Screw (SS)	1	648-522-000
23		Washer - 416 SS	1	662-220-000
		Washer - 316 SS		662-219-000
24		Lockwasher (Split Ring)	1	662-221-000
25		Vent Screen	1	647-023-001



P98H Water Relief Capacities in Gallons per Minute (l/min) with Neoprene Diaphragm

Nominal Body Size, Inches (DN)	Spring		Relief Pressure Setting PSIG (BAR)	Flow at Relief Setting, GPM (l/min.)	Pressure Buildup Over Relief Setting, PSIG (BAR)								
	Part Number	Color Code			2 (0.14)	4 (0.28)	6 (0.41)	8 (0.55)	10 (0.69)	15 (1.0)	20 (1.4)	25 (1.7)	30 (2.1)
3/4, 1 (20, 25)	655-753-000	White	10 (0.69)	2.2 (8.3)	16.5 (62.5)	21.5 (81.4)	24.5 (92.7)	26.5 (100)	27.5 (104)	29.5 (112)	32.3 (122)	34.9 (132)	37.3 (141)

Nominal Body Size, Inches (DN)	Spring		Relief Pressure Setting PSIG (BAR)	Flow at Relief Setting, GPM (l/min.)	Pressure Buildup Over Relief Setting, PSIG (BAR)								
	Part Number	Color Code			5 (0.34)	7 (0.48)	10 (0.69)	15 (1.03)	20 (1.38)	30 (2.07)	50 (3.45)	75 (5.17)	100 (6.90)
3/4, 1 (20, 25)	655-753-000	White	10 (0.69)	2.2 (8.3)	16.5 (62.5)	21.5 (81.4)	24.5 (92.7)	26.5 (100)	27.5 (104)	29.5 (112)	32.3 (122)	34.9 (132)	37.3 (141)
	655-712-000	Yellow	15 (1.03)	1.8 (6.81)	18 (68.1)	23.5 (88.9)	27 (102)	31 (117)	33 (125)	37 (140)	45 (170)	53 (201)	59 (223)
			25 (1.72)	1.8 (6.81)	26 (98.4)	29 (110)	33 (125)	38 (144)	41 (155)	45 (170)	53 (201)	61 (231)	67 (254)
			35 (2.41)	1.8 (6.81)	32 (121)	34.5 (131)	37.5 (142)	42 (159)	45 (170)	49.5 (187)	56 (212)	64 (242)	70 (265)
	655-712-001	Green	35 (2.41)	1.5 (5.68)	20 (75.7)	25 (94.6)	28 (106)	33 (125)	37 (140)	44 (167)	50 (189)	57 (216)	63 (238)
			50 (3.45)	1.5 (5.68)	25 (94.6)	31 (117)	37 (140)	42.5 (161)	47 (178)	52 (197)	58 (220)	65 (246)	71.0 (269)
			75 (5.17)	1.5 (5.68)	35 (132)	41 (155)	45 (170)	50 (189)	53 (201)	58 (220)	63.5 (240)	68.5 (259)	74 (280)
	655-712-002	Red	75 (5.17)	1.3 (4.92)	19 (71.9)	25 (94.6)	32 (121)	37 (140)	41 (155)	47 (178)	57 (216)	66.5 (252)	72 (273)
			100 (6.90)	1.3 (4.92)	22 (83.3)	29 (110)	35 (132)	43 (163)	48.5 (184)	57 (216)	66.5 (252)	73 (276)	78 (295)
			125 (8.62)	1.3 (4.92)	27 (102)	34.5 (131)	42 (159)	50.5 (191)	57 (216)	67 (254)	73.5 (278)	78 (295)	83 (314)
	655-717-000	Blue	150 (10.34)	1 (3.78)	15 (56.8)	20 (75.7)	27 (102)	39 (148)	48 (182)	62 (235)	78 (295)	83 (314)	88 (333)
			175 (12.07)	1 (3.78)	19 (71.9)	24 (90.8)	32 (121)	50 (189)	60 (227)	72 (273)	82 (310)	88.5 (335)	94 (356)
			200 (13.79)	1 (3.78)	22 (83.3)	27 (102)	36 (136)	53 (201)	65 (246)	78 (295)	88 (333)	93 (352)	98 (371)

P98H Water Relief Capacities in Gallons per Minute (l/min) with Metal Diaphragm

Nominal Body Size, Inches (DN)	Spring		Relief Pressure Setting PSIG (BAR)	Flow at Relief Setting, GPM (l/min.)	Pressure Buildup Over Relief Setting, PSIG (BAR)								
	Part Number	Color Code			2 (0.14)	4 (0.28)	6 (0.41)	8 (0.55)	10 (0.69)	15 (1.0)	20 (1.4)	25 (1.7)	30 (2.1)
3/4, 1 (20, 25)	655-753-000	White	10 (0.69)	2.2 (8.3)	11.5 (43.5)	17.5 (66.2)	20.2 (76.5)	20.5 (77.6)	24 (90.8)	26.5 (100)	29.0 (110)	31.4 (119)	33.5 (127)

Nominal Body Size, Inches (DN)	Spring		Relief Pressure Setting PSIG (BAR)	Flow at Relief Setting, GPM (l/min.)	Pressure Buildup Over Relief Setting, PSIG (BAR)								
	Part Number	Color Code			5 (0.34)	7 (0.48)	10 (0.69)	15 (1.03)	20 (1.38)	30 (2.07)	50 (3.45)	75 (5.17)	100 (6.90)
3/4, 1 (20, 25)	655-712-000	Yellow	15 (1.03)	1.8 (6.81)	6 (22.7)	13 (49.2)	16 (60.6)	20 (75.7)	26 (98.4)	31 (117)	37 (140)	44 (167)	49 (185)
			25 (1.72)	1.8 (6.81)	13 (49.2)	16 (60.6)	19.5 (73.8)	24 (90.8)	32 (121)	35 (132)	40 (151)	46 (174)	50 (189)
			35 (2.41)	1.8 (6.81)	16 (60.9)	19 (71.9)	23 (87.1)	28 (106)	33 (125)	37 (140)	41 (155)	47 (178)	51 (193)
	655-712-001	Green	35 (2.41)	1.5 (5.68)	8 (30.3)	14 (53.0)	16.5 (62.5)	21 (79.5)	23 (87.1)	29.5 (112)	33 (125)	37 (140)	41 (155)
			50 (3.45)	1.5 (5.68)	11 (41.6)	15 (56.8)	18.5 (70.0)	24 (90.8)	28.5 (108)	35.5 (134)	44 (167)	49 (185)	53 (201)
			75 (5.17)	1.5 (5.68)	14 (53.0)	20 (75.7)	26 (98.4)	33 (125)	37 (140)	42.5 (161)	50 (189)	58 (220)	62 (235)
	655-712-002	Red	75 (5.17)	1.3 (4.92)	7 (26.5)	10 (37.9)	14 (53.0)	20 (75.7)	26 (98.4)	35 (132)	46 (174)	55 (208)	58 (220)
			100 (6.90)	1.3 (4.92)	9 (34.1)	12 (45.4)	18 (68.1)	25.5 (96.5)	32 (121)	41 (155)	54 (204)	62 (235)	68 (257)
			125 (8.62)	1.3 (4.92)	11 (41.6)	14.5 (54.9)	20 (75.7)	30 (114)	38 (144)	50 (189)	60.5 (229)	67.5 (255)	72 (273)
	655-717-000	Blue	150 (10.34)	1 (3.78)	7 (26.5)	9 (34.1)	12 (45.4)	17.5 (66.2)	23 (87.1)	34 (129)	51 (193)	66 (250)	76 (288)
			175 (12.07)	1 (3.78)	8 (30.3)	10 (37.9)	14 (53.0)	20.5 (77.6)	27 (102)	39 (148)	59 (223)	74 (280)	81 (307)
			200 (13.79)	1 (3.78)	9 (34.1)	12 (45.4)	17 (64.3)	24.5 (92.7)	32.5 (123)	47 (178)	66 (250)	79 (299)	85 (322)

P98H Steam Relief Capacities in Pounds per Hour (kg/h) **with Metal Diaphragm Only**

Nominal Body Size, Inches (DN)	Spring		Relief Pressure Setting PSIG (BAR)	Flow at Relief Setting, GPM (l/min.)	Pressure Buildup Over Relief Setting, PSIG (BAR)								
	Part Number	Color Code			2 (0.14)	4 (0.28)	6 (0.41)	8 (0.55)	10 (0.69)	15 (1.0)	20 (1.4)	25 (1.7)	30 (2.1)
3/4, 1 (20, 25)	655-753-000	White	10 (0.69)	25 (11.3)	136 (61.7)	200 (90.7)	240 (109)	280 (127)	310 (141)	370 (168)	417 (189)	463 (210)	509 (231)

Nominal Body Size, Inches (DN)	Spring		Relief Pressure Setting PSIG (BAR)	Flow at Relief Setting, LB/H (kg/h)	Pressure Buildup Over Relief Setting, PSIG (BAR)								
	Part Number	Color Code			5 (0.34)	7 (0.48)	10 (0.69)	15 (1.03)	20 (1.38)	30 (2.07)	50 (3.45)	75 (5.17)	100 (6.90)
3/4, 1 (20, 25)	655-712-000	Yellow	15 (1.03)	25 (11.3)	91 (41.3)	135 (61.2)	180 (81.6)	260 (118)	360 (163)	440 (200)	580 (263)	770 (349)	950 (431)
			25 (1.72)	25 (11.3)	120 (54.4)	180 (81.6)	230 (104)	330 (150)	395 (179)	510 (231)	660 (299)	850 (386)	1030 (467)
			35 (2.41)	25 (11.3)	135 (61.2)	190 (86.2)	250 (113)	360 (163)	455 (206)	590 (268)	730 (331)	920 (417)	1100 (499)
	655-712-001	Green	35 (2.41)	25 (11.3)	68 (30.8)	110 (49.9)	160 (72.6)	230 (104)	330 (150)	500 (227)	625 (284)	785 (356)	940 (426)
			50 (3.45)	25 (11.3)	110 (48.9)	160 (72.6)	210 (95.3)	340 (154)	430 (195)	640 (290)	910 (413)	1100 (499)	1300 (590)
			75 (5.17)	25 (11.3)	180 (81.6)	230 (104)	320 (145)	445 (202)	630 (286)	820 (372)	1100 (499)	1350 (612)	1550 (703)
	655-712-002	Red	75 (5.17)	25 (11.3)	130 (59.0)	155 (70.3)	210 (95.3)	320 (145)	410 (186)	590 (268)	1050 (476)	1350 (612)	1550 (703)
			100 (6.90)	25 (11.3)	135 (61.2)	160 (72.6)	230 (104)	350 (159)	455 (206)	680 (308)	1180 (535)	1600 (726)	1800 (816)
			125 (8.62)	25 (11.3)	145 (65.8)	205 (93.0)	280 (127)	450 (204)	540 (245)	860 (390)	1400 (635)	1770 (803)	2000 (907)
	655-717-000	Blue	150 (10.34)	25 (11.3)	86 (39.0)	135 (61.2)	200 (90.7)	340 (154)	455 (206)	720 (327)	1270 (576)	1900 (862)	2200 (998)
			175 (12.07)	25 (11.3)	91 (41.3)	145 (65.8)	230 (104)	350 (159)	500 (227)	770 (349)	1350 (612)	2000 (907)	2400 (1089)
			200 (13.79)	25 (11.3)	160 (72.6)	225 (102)	320 (145)	450 (204)	630 (286)	950 (431)	1600 (726)	2300 (1043)	2700 (1225)

P98H Air Relief Capacities in SCFH (Nm³/h) **with Neoprene Diaphragm**

Nominal Body Size, Inches (DN)	Spring		Relief Pressure Setting PSIG (BAR)	Flow at Relief Setting, GPM (l/min.)	Pressure Buildup Over Relief Setting, PSIG (BAR)								
	Part Number	Color Code			2 (0.14)	4 (0.28)	6 (0.41)	8 (0.55)	10 (0.69)	15 (1.0)	20 (1.4)	25 (1.7)	30 (2.1)
3/4, 1 (20, 25)	655-753-000	White	10 (0.69)	500 (13.4)	4600 (166)	6900 (185)	7400 (198)	8000 (214)	8900 (239)	10,000 (268)	11,000 (297)	11,100 (297)	12,300 (330)

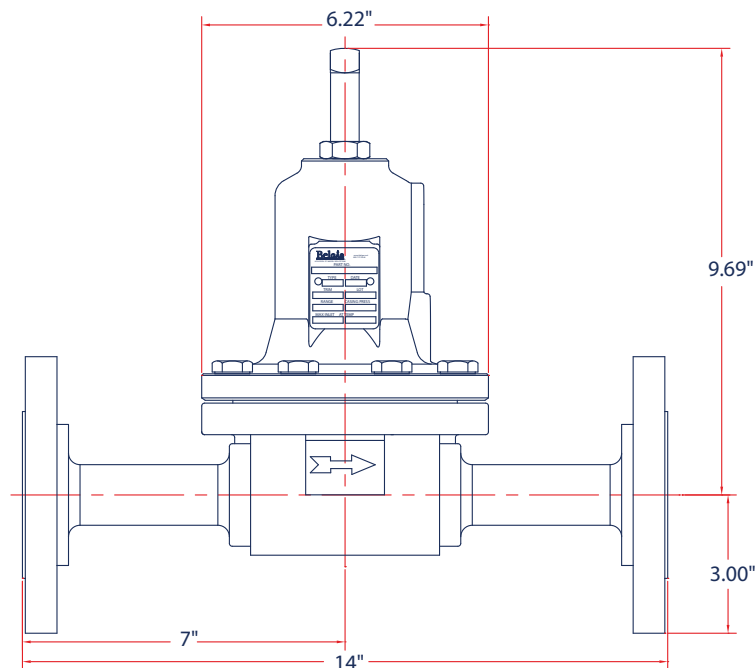
Nominal Body Size, Inches (DN)	Spring		Relief Pressure Setting PSIG (BAR)	Flow at Relief Setting, SCFH (Nm ³ /h)	Pressure Buildup Over Relief Setting, PSIG (BAR)								
	Part Number	Color Code			5 (0.34)	7 (0.48)	10 (0.69)	15 (1.03)	20 (1.38)	30 (2.07)	50 (3.45)	75 (5.17)	100 (6.90)
3/4, 1 (20, 25)	655-712-000	Yellow	15 (1.03)	500 (13.4)	5000 (134)	6500 (174)	7700 (206)	9500 (247)	9900 (265)	11,900 (319)	15,900 (426)	20,900 (560)	25,900 (694)
			25 (1.72)	500 (13.4)	7000 (188)	8500 (228)	9700 (260)	12,000 (322)	13,000 (348)	13,900 (373)	17,900 (480)	22,900 (614)	27,900 (748)
			35 (2.41)	500 (13.4)	9000 (241)	10,500 (281)	12,000 (322)	13,000 (348)	14,000 (375)	17,000 (456)	20,800 (557)	26,000 (697)	31,000 (831)
	655-712-001	Green	35 (2.41)	500 (13.4)	4500 (121)	5500 (147)	8500 (228)	13,000 (348)	14,000 (375)	17,000 (456)	20,800 (557)	26,000 (697)	31,000 (831)
			50 (3.45)	500 (13.4)	6000 (161)	7000 (188)	11,500 (308)	15,500 (415)	17,000 (456)	20,000 (536)	24,000 (643)	29,000 (777)	34,000 (911)
			75 (5.17)	500 (13.4)	7500 (201)	10,000 (268)	15,000 (402)	20,000 (536)	22,000 (590)	25,000 (670)	29,000 (777)	34,000 (911)	39,000 (1045)
	655-712-002	Red	75 (5.17)	500 (13.4)	5000 (134)	6500 (174)	10,000 (268)	15,000 (402)	20,000 (536)	24,000 (643)	29,000 (777)	34,000 (911)	39,000 (1045)
			100 (6.90)	500 (13.4)	6500 (174)	8500 (228)	13,000 (348)	20,000 (536)	24,000 (643)	29,000 (777)	34,000 (911)	39,000 (1045)	45,000 (1206)
			125 (8.62)	500 (13.4)	7000 (188)	9000 (241)	14,500 (389)	23,000 (616)	28,000 (750)	33,000 (884)	39,000 (1045)	45,000 (1206)	50,000 (1340)
	655-717-000	Blue	150 (10.34)	500 (13.4)	4700 (126)	6000 (161)	9000 (241)	14,000 (375)	19,000 (509)	28,000 (750)	42,000 (1126)	50,000 (1340)	56,000 (1501)
			175 (12.07)	500 (13.4)	5700 (153)	7000 (188)	10,500 (281)	17,000 (456)	23,000 (616)	34,000 (911)	49,000 (1313)	56,000 (1501)	61,000 (1635)
			200 (13.79)	500 (13.4)	5700 (153)	7500 (201)	12,000 (322)	18,000 (482)	24,000 (643)	36,000 (965)	54,000 (1447)	61,000 (1635)	66,000 (1769)

P98H Air Relief Capacities in SCFH (Nm³/h) with Metal Diaphragm

Nominal Body Size, Inches (DN)	Spring		Relief Pressure Setting PSIG (BAR)	Flow at Relief Setting, GPM (l/min.)	Pressure Buildup Over Relief Setting, PSIG (BAR)							
	Part Number	Color Code			2 (0.14)	4 (0.28)	6 (0.41)	8 (0.55)	10 (0.69)	15 (1.0)	20 (1.4)	25 (1.7)

Nominal Body Size, Inches (DN)	Spring		Relief Pressure Setting PSIG (BAR)	Flow at Relief Setting, SCFH (Nm ³ /h)	Pressure Buildup Over Relief Setting, PSIG (BAR)								
	Part Number	Color Code			5 (0.34)	7 (0.48)	10 (0.69)	15 (1.03)	20 (1.38)	30 (2.07)	50 (3.45)	75 (5.17)	100 (6.90)
3/4, 1 (20, 25)	655-712-000	Yellow	15 (1.03)	500 (13.4)	2000 (53.6)	3000 (80.4)	4000 (107)	5700 (153)	8500 (228)	10,400 (279)	13,900 (373)	18,000 (482)	22,500 (603)
			25 (1.72)	500 (13.4)	2700 (72.4)	4000 (107)	5200 (139)	7200 (193)	8700 (233)	12,100 (324)	15,600 (418)	20,000 (536)	24,000 (643)
			35 (2.41)	500 (13.4)	3000 (80.4)	4200 (113)	5500 (147)	8000 (214)	10,000 (268)	13,000 (349)	17,300 (464)	21,700 (582)	26,000 (697)
	655-712-001	Green	35 (2.41)	500 (13.4)	1500 (40.2)	2500 (67.0)	3500 (93.8)	5200 (139)	7200 (193)	11,000 (295)	17,000 (456)	21,600 (579)	26,000 (697)
			50 (3.45)	500 (13.4)	2500 (67.0)	3500 (93.8)	4700 (126)	7500 (201)	9500 (255)	14,000 (375)	20,000 (536)	24,000 (643)	28,600 (766)
			75 (5.17)	500 (13.4)	4000 (107)	5200 (139)	7000 (188)	10,000 (268)	14,000 (375)	18,000 (482)	25,000 (670)	30,000 (804)	35,000 (938)
	655-712-002	Red	75 (5.17)	500 (13.4)	2900 (77.7)	3400 (91.1)	4700 (126)	7000 (188)	9200 (247)	13,000 (348)	23,000 (616)	30,000 (804)	35,000 (938)
			100 (6.90)	500 (13.4)	3000 (80.4)	3500 (93.8)	5000 (134)	7700 (206)	10,000 (268)	15,000 (402)	26,000 (697)	35,000 (938)	40,000 (1072)
			125 (8.62)	500 (13.4)	3200 (85.8)	4500 (121)	6200 (166)	9500 (255)	12,000 (322)	19,000 (509)	31,000 (831)	39,000 (1045)	45,000 (1206)
	655-717-000	Blue	150 (10.34)	500 (13.4)	1900 (50.9)	3000 (80.4)	4500 (121)	7500 (201)	10,000 (268)	16,000 (429)	28,000 (750)	42,000 (1126)	50,000 (1340)
			175 (12.07)	500 (13.4)	2000 (53.6)	3200 (85.8)	5000 (134)	7700 (206)	11,000 (295)	17,000 (456)	30,000 (804)	45,000 (1206)	54,000 (1447)
			200 (13.79)	500 (13.4)	3500 (93.8)	5000 (134)	7000 (188)	10,000 (268)	14,000 (375)	21,000 (563)	35,000 (938)	52,000 (1394)	60,000 (1608)

P98H Flanged Unit Dimension, Inches



P98H Repair Kits

	Kit Includes	Part Number
302SS Diaphragm	302SS Diaphragm (2), Diaphragm Gasket, Thru Hole Gasket, 416SS Orifice, 416SS/Nitrile Valve Plug, Seat O-ring Retainer and O-ring, Seat Machine Screw	971-P98-000
	302SS Diaphragm (2), Diaphragm Gasket, Thru Hole Gasket, 416SS Orifice, 416SS/M to M Valve Plug	971-P98-001
	302SS Diaphragm (2), Diaphragm Gasket, Thru Hole Gasket, 416SS Orifice, 416SS/FKM Valve Plug, Seat O-ring Retainer and O-ring, Seat Machine Screw	971-P98-004
	302SS Diaphragm (2), Diaphragm Gasket, Thru Hole Gasket, 316SS Orifice, 316SS/M to M Valve Plug	971-P98-006
	302SS Diaphragm (2), Diaphragm Gasket, Thru Hole Gasket, 316SS Orifice, 316SS/Nitrile Valve Plug, Seat O-ring Retainer and O-ring, Seat Machine Screw	971-P98-028
Neoprene Diaphragm	Neoprene Diaphragm, Thru Hole Gasket, 416SS Orifice, 416SS/Nitrile Valve Plug, Seat O-ring Retainer and O-ring, Seat Machine Screw	971-P98-002
	Neoprene Diaphragm, Thru Hole Gasket, 416SS Orifice, 416SS/M to M Valve Plug	971-P98-003
	Neoprene Diaphragm, Thru Hole Gasket, 416SS Orifice, 416SS/FKM Valve Plug, Seat O-ring Retainer and O-ring, Seat Machine Screw	971-P98-016
	Neoprene Diaphragm, Thru Hole Gasket, 316SS Orifice, 316SS/M to M Valve Plug	971-P98-018
	Neoprene Diaphragm, Thru Hole Gasket, 316SS Orifice, 316SS/Nitrile Valve Plug, Seat O-ring Retainer and O-ring, Seat Machine Screw	971-P98-030
	Neoprene Diaphragm, Thru Hole Gasket, 316SS Orifice, 316SS/FKM Valve Plug, Seat O-ring Retainer and O-ring, Seat Machine Screw	971-P98-019
Monel Diaphragm	Monel Diaphragm (2), Diaphragm Gasket, Thru Hole Gasket, 416SS Orifice, 416SS/M to M Valve Plug	971-P98-021
	Monel Diaphragm (2), Diaphragm Gasket, Thru Hole Gasket, 416SS Orifice, 416SS/Nitrile Valve Plug, Seat O-ring Retainer and O-ring, Seat Machine Screw	971-P98-024
	Monel Diaphragm (2), Diaphragm Gasket, Thru Hole Gasket, 416SS Orifice, 416SS/FKM Valve Plug, Seat O-ring Retainer and O-ring, Seat Machine Screw	971-P98-022
	Monel Diaphragm (2), Diaphragm Gasket, Thru Hole Gasket, 316SS Orifice, 316SS/M to M Valve Plug	971-P98-025
	Monel Diaphragm (2), Diaphragm Gasket, Thru Hole Gasket, 316SS Orifice, 316SS/Nitrile Valve Plug, Seat O-ring Retainer and O-ring, Seat Machine Screw	971-P98-031
	Monel Diaphragm (2), Diaphragm Gasket, Thru Hole Gasket, 316SS Orifice, 316SS/FKM Valve Plug, Seat O-ring Retainer and O-ring, Seat Machine Screw	971-P98-026
FKM Diaphragm	FKM Diaphragm (2), Diaphragm Gasket, Thru Hole Gasket, 416SS Orifice, 416SS/M to M Valve Plug	971-P98-009
	FKM Diaphragm (2), Diaphragm Gasket, Thru Hole Gasket, 416SS Orifice, 416SS/FKM Valve Plug, Seat O-ring Retainer and O-ring, Seat Machine Screw	971-P98-010
	FKM Diaphragm, Thru Hole Gasket, 416SS Orifice, 416SS/Nitrile Valve Plug, Seat O-ring Retainer and O-ring, Seat Machine Screw	971-P98-012
	FKM Diaphragm (2), Diaphragm Gasket, Thru Hole Gasket, 416SS Orifice, 416SS/FKM Valve Plug,	971-P98-014
	FKM Diaphragm, Thru Hole Gasket, 316SS Orifice, 316SS/M to M Valve Plug	971-P98-013
	FKM Diaphragm, Thru Hole Gasket, 316SS Orifice, 316SS/Nitrile Valve Plug, Seat O-ring Retainer and O-ring, Seat Machine Screw	971-P98-029