

P303 Pressure Regulator

- Minimize Sudden Downstream Load Change
- Wide Pressure Ranges
- Integral Monitoring

The BelGAS P303 and P303H gas pressure reducing regulators are available with a true monitor regulator, which acts independently of the main regulator. The monitor provides equivalent overpressure protection when compared to a standard two-regulator monitor setup. Should one regulator fail, the other regulator provides control and overpressure protections.

The regulator's fast action reduces the risk of shock from abrupt changes in downstream conditions and can help to prevent safety equipment from causing unnecessary, expensive, and time-consuming operation shutdowns.



Applications

- Compressors
- Gas Engines
- Service Regulators

Materials of Construction

Adjusting Screw	Aluminum
Body	Ductile Iron
Bonnet	Aluminum
Closing Cap	Zinc
Diaphragm	Nitrile
Lower Casing	Aluminum
Molded Seat Assembly	Nitrile
Orifice	Aluminum
Flange	Ductile Iron

P303 Series Maximum Inlet Pressure

Orifice Inches	Range	P303		P303H	
		Maximum Inlet Pressure		Maximum Inlet Pressure	
		PSIG	BAR	PSIG	BAR
1/4"	Any	60	4.136	125	8.618
3/8"	Any	30	2.068	80	5.515
1/2"	Any	25	1.723	60	4.136
3/4"	Any	15	1.034	40	2.757

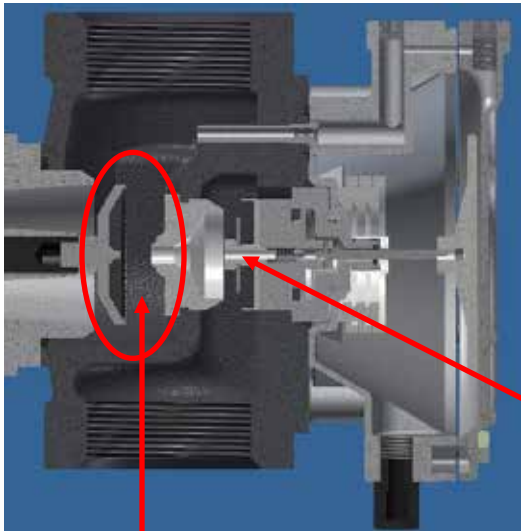
Specifications

Maximum Inlet	See Table 1
Maximum Emergency Outlet	15 PSIG
Pressure Ranges	See Table 2
Port Sizes	1.5 NPT
	1.5 NPT x 2 NPT
	2 NPT
Orifice Sizes	1/4"
	3/8"
	1/2"
	3/4"
End Connections	NPT
	2" 125 FF Flange
Temperature Range	-20 °F to 180 °F
	-29 °C to 82 °C
Approx. Weight	26 lbs. (11.8 kg)

P303 Series Range Springs

Model	Spring Ranges		Spring Color	Part Number
	WC.	mBar		
P303	4 - 6 WC	9.96 - 15	Red	655-788-000
	5 - 8.5 WC	12 - 21	Silver	655-788-001
	8 - 14 WC	19.93 - 35	Blue	655-788-002
	12 - 28 WC	30 - 70	Green	655-788-003
P303H				
	PSIG	Bar		
P303H	1 - 1.6 PSIG	.07 - .11	Black	655-788-004
	1.5 - 2.25 PSIG	.10 - .15	Olive	655-788-005

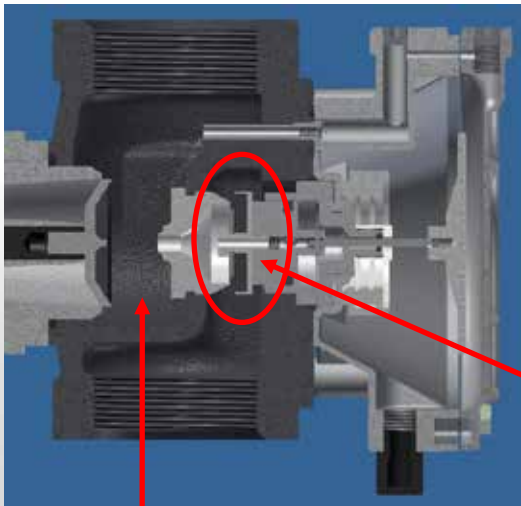
How Does the P303 Series Work?



Under normal operational conditions, the P303 Series performs as the P300. When there is a demand downstream of the regulator, the main valve disk moves away from the orifice to allow flow. The Monitor diaphragm and piston are always in motion based on outlet feedback through the pitot tube at the outlet.

Secondary or monitor orifice & valve disk

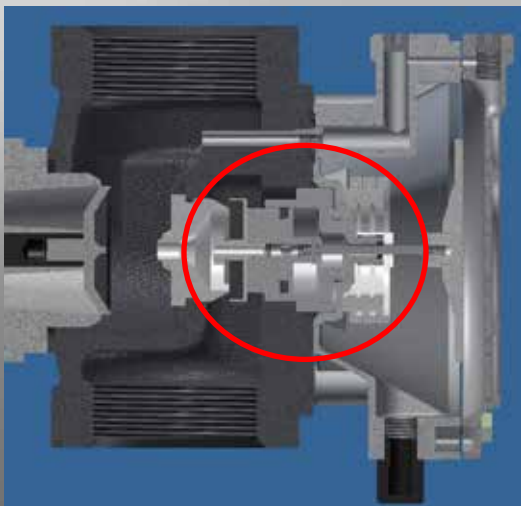
Main orifice & valve disk



The monitor module will activate when the system experiences a failure such as the main valve disk is stuck open or the lever disengages from the valve stem assembly. When the P303 main regulator fails to regulate and the output pressure climbs, the increased output pressure will move the monitor valve disk towards the secondary sealing surface of the orifice.

Monitor valve disk starts to regulate

Main seat lodged open



Once the output pressure has increased 7" to 28" WC above the set operating output pressure, the monitor valve disk will fully seal on the secondary sealing surface of the orifice. At this point, the only supply pressure that is passing through the unit is passing through the tiny bleed hole on the disk holder screw and venting directly out the main regulator diaphragm assembly and through the main regulator's vent assembly.

BelGAS P303 Part Number Selection

Before attempting to select a BelGAS P303, several pieces of information should be known: port size, the supply pressure the unit operates at normally, the output pressure the unit operates at normally, the downstream flow requirement during normal operation, the maximum amount of output pressure the unit is allowed to have during an over pressurization situation, and the media the unit will be regulating.

Example #1

Known Requirements

1.5 NPT
30 PSIG inlet
7" WC outlet under normal conditions
1500 SCFH 0.6 specific gravity natural gas
Should not rise above 1.3 PSIG

Port Size

The code for 1.5 NPT in the Port Size section is 14.
P303X14XX0XXXXX

Outlet Pressure Range

It's best to operate in the middle of the range in order to preserve the life of the unit's springs. Since the output pressure is supposed to be at 7" WC during normal operation, the code for the Spring Coordination section is 85 (5 - 8.5" WC) and the code for the Version section is 0. The unit that is paired with the Spring Coordination section is the G1 option from the Monitor Range section. G1 has a range of 4-9.5" WC
P303014850XXXXG1

Downstream Flow Requirements

The unit needs to flow at least 1500 SCFH under normal operation with a supply pressure of 30 PSIG. According to P300 Series flow tables for that spring range and outlet pressure droop, both the 1/4" orifice and the 3/8" orifice generated more than 1500 SCFH. The 1/4" orifice generates 1700 SCFH flow of 0.6 specific gravity natural gas. The 3/8" orifice generates 2400 SCFH flow 0.6 specific gravity natural gas.
P3030148504XXG1 or P3030148506XXG1

Body and Bonnet Orientation

BelGAS offers sixteen different body/bonnet orientation combination controlled through two digits in the part number. If no special orientation is required the 3F orientation is selected.
P30301485043FG1 or P30301485063FG1

Over Pressurization Conditions

Since the unit cannot climb above 1.3 PSIG, either of the remaining orifice options will apply based on the relief curves provided.
P30301485043FG1 or P30301485063FG1

Based on the criteria provided, both regulators listed above can handle the application. However, if less pressure build up during over pressurization is desirable in this particular function, the 1/4" will deliver a slightly lower output pressure during over pressurization.
P30301485043FG1

Example #2

Known Requirements

2" 125 FF
40 PSIG inlet
1 PSIG outlet under normal conditions
3000 SCFH air
Should not rise above 2.5 PSIG

Port Size

The code for 2" 125FF in the Port Size section is 16. In the Special Construction section, you should put code E.
P303X16XXEXXXXX

Outlet Pressure Range

It's best to operated in the middle of the range in order to preserve the life of the unit's springs. Since the output pressure is supposed to be at 1 PSIG during normal operation, the unit should be the S1 option from the Monitor Range section. S1 has a range of 1.0 - 1.6 PSIG. That means the code for the Spring Coordination section is 02 and the Version is H.
P303H1602EXXXXS1

Downstream Flow Requirements

The unit needs to flow at least 3000 SCFH under normal operation. According to the P300 Series flow tables for that spring range and outlet pressure droop, the 3/8", 1/2" and 3/4" orifices all generate more than 5000 SCFH flow of 0.6 specific gravity natural gas (which is equivalent to 3875 SCFH air).
P303H1602E6XXS1 or P303H1602E8XXS1
or P303H1602EBXXS1.

Body and Bonnet Orientation

BelGAS offers sixteen different body/bonnet orientation combination controlled through two digits in the part number. If no special orientation is required, the 3F orientaten is selected.
P303H1602E63FS1 or P303H1602E83FS1 or
P303H1602EB3FS1

Over Pressurization Conditions

Since the unit cannot climb above 2.5 PSIG, the 3/4" orifice is eliminated from the relief curves provided. Either of the remaining two orifice options will work at the supply of 40 PSIG
P303H1602E63FS1 or P303H1602E83FS1

Based on the criteria provided, both regulators listed above can handle the application. However, the 1/2" orifice will flow more than the 3/8" orifice. So if more flow during normal operation is desirable in this particular function: P303H1602E83FS1

P303 Part Matrix



P303									
		↑	↑↑	↑↑↑	↑	↑	↑	↑	Version
	O								Normal
	H								High Pressure
									Port Size
			14						1.5 NPT
			15						1.5 x 2 NPT
			16						2 NPT
									Spring Range
									WC or PSIG mBAR
			06						4 - 6" WC 9.96 - 14.95 use with G1 Monitor
			85						5 - 8.5" WC 12.45 - 21.17 use with G1 Monitor
			14		0 Version Only				8 - 14" WC 19.92 - 34.87 use with G2 Monitor
			28						12" - 28" WC 29.89 - 69.74 use with R1, B1 Monitor
			02		H Version Only				1 - 1.6 PSIG 68.94 - 110.31 use with S1 Monitor
			03						1.5 - 2.25 PSIG 103.42 - 155.13 use with S2 Monitor
									Special Construction
			O						None
			E						125FF (2" Iron Only)
									Orifice
			4						1/4"
			6						3/8"
			8						1/2"
			B						3/4"
									Port Orientation
			1						Up (Standard)
			2						Down
			3						Right
			4						Left
									Bonnet Orientation
			C						12 O'clock
			D						3 O'clock (Standard)
			E						6 O'clock
			F						9 O'clock
									Monitor Range
									WC or PSIG mBAR
			G1						4 - 9.5" WC 9.96 - 23.66 use with 06 or 85 Main Spring
			G2						8 - 14" WC 19.92 - 34.87 use with 14 Main Spring
			R1						10 - 20" WC 24.90 - 49.81 use with 28 Main Spring
			B1						18 - 33" WC 44.83 - 82.19 use with 28 Main Spring
			S1						.75 - 1.6 PSIG 51.71 - 110.31 use with 02 Main Spring
			S1						1.25 - 2.25 PSIG 86.18 - 155.13 use with 03 Main Spring

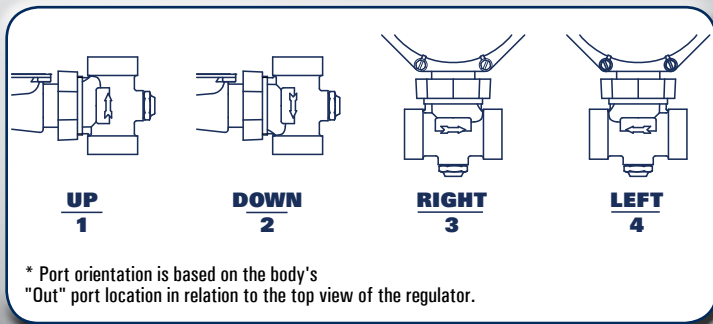
Note: Monitor Range should be chosen prior to choosing Main Spring

Note: Monitor Range should be chosen prior to choosing Main Spring

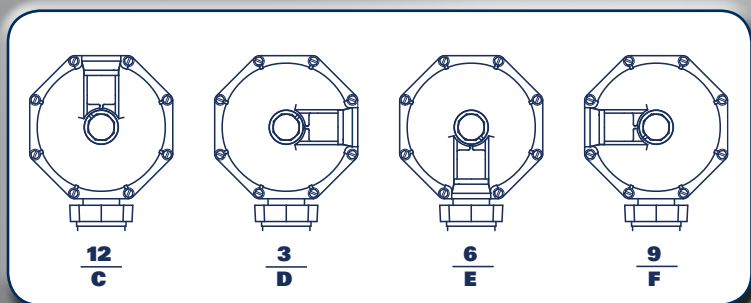
P303 Regulator Rebuild Kits

	Kit Includes	Part Number
P303 Regulator	Diaphragm, Disk Holder, Cap Gasket, O-Ring	971-303-000

P303 Body Orientation*

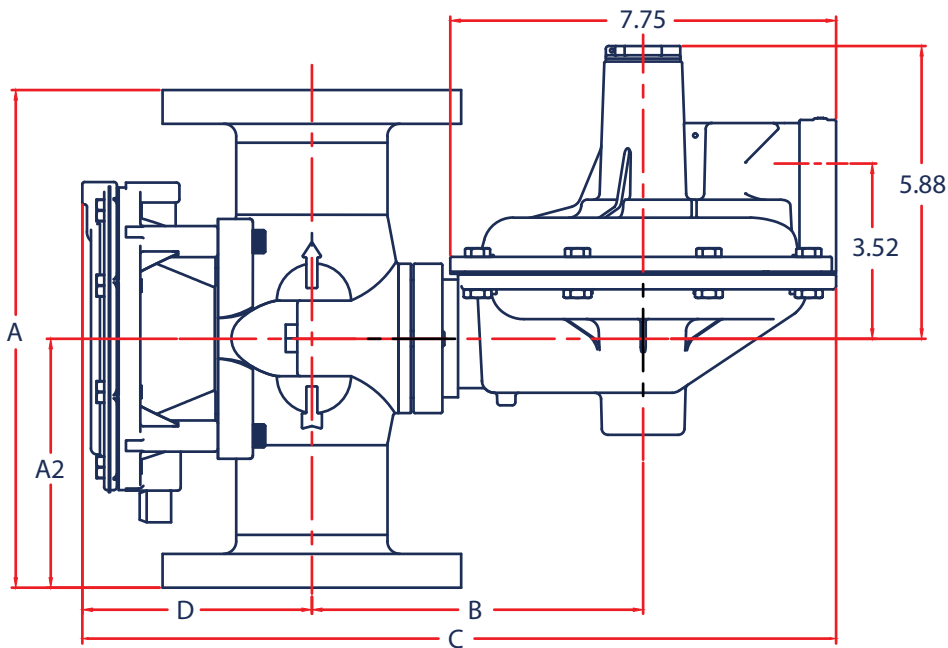
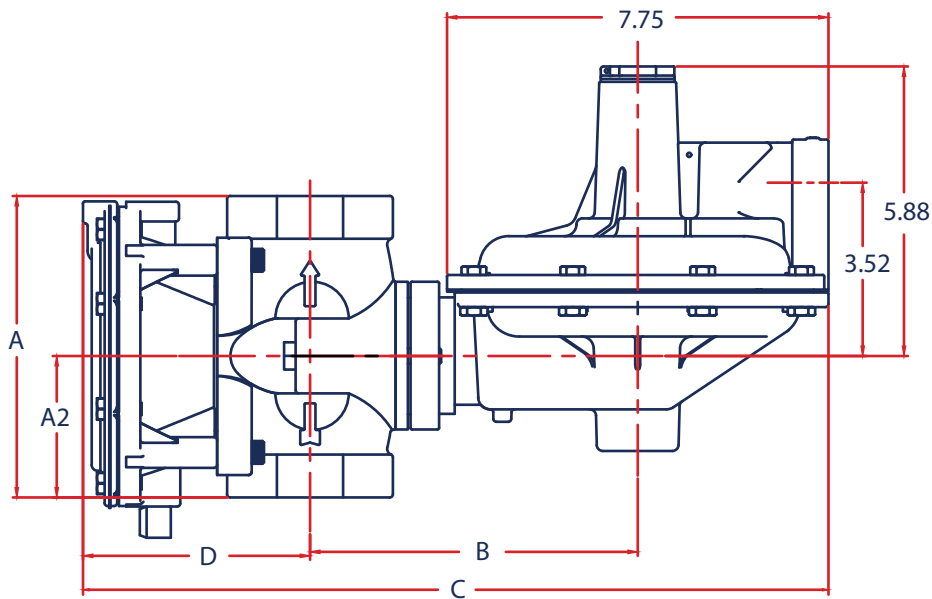


P303 Vent Positions



P303 Dimensions

Body Size	A		A2		B	C	D	
	Inches	NPT	125 FF Flange	NPT	125 FF Flange	NPT	NPT	NPT
1.5	6.13		3.06		6.66	15.14	4.61	
1.5 x 2	6.13		3.06		6.66	15.14	4.61	
2	6.13	10	3.06	5.00	6.66	15.14	4.61	4.61

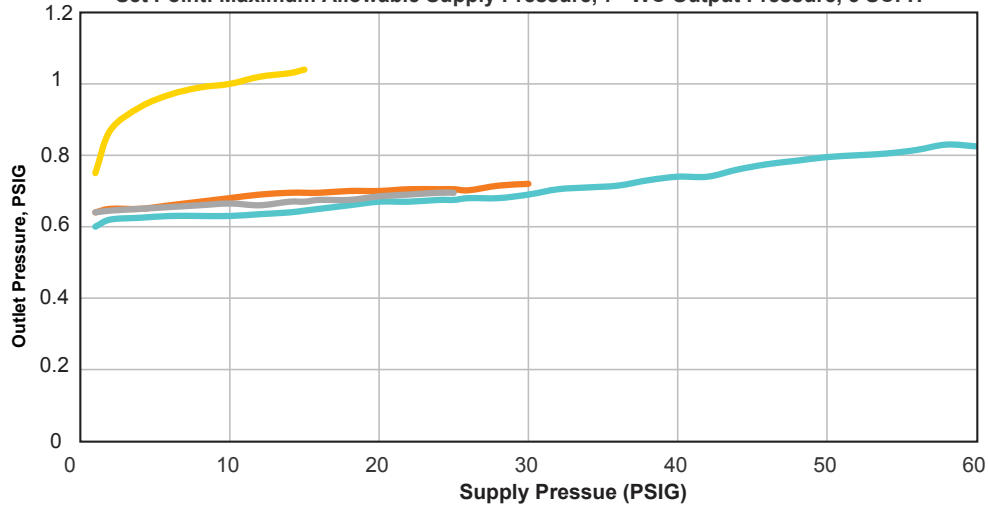


*NOTE ORIENTATIONS 1E AND 2E ARE NOT AVAILABLE WITH FLANGE BODY

P303 Relief Capacities

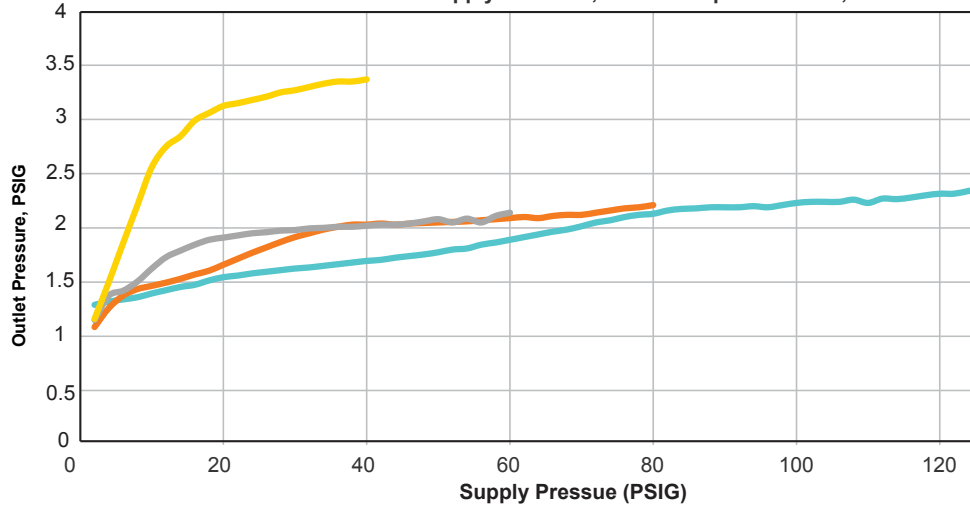
G1 Module Performance

Set Point: Maximum Allowable Supply Pressure, 7" WC Output Pressure, 5 SCFH



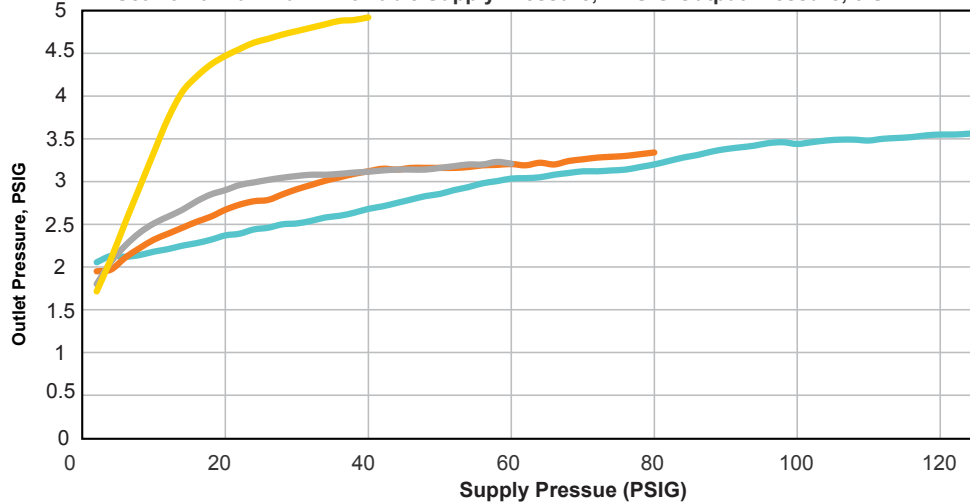
S1 Module Performance

Set Point: Maximum Allowable Supply Pressure, 1 PSIG Output Pressure, 5 SCFH



S2 Module Performance

Set Point: Maximum Allowable Supply Pressure, 2 PSIG Output Pressure, 5 SCFH



— 0.25" Orifice — 0.375" Orifice — 0.5" Orifice — 0.75" Orifice

P303 Flow Capacities in SCFH (Nm³/h) of 0.6 Specific Gravity Natural Gas

Outlet Pressure, Spring Part Number, and Accuracy	Inlet Pressure		NPT 1-1/4 (DN32) Body Size				
			Orifice Size, Inches (mm)				
	PSIG	BAR	3/16 (4.8)	1/4 (6.4)	3/8 (9.5)	1/2 (13)	3/4 (19)
5" WC Set (12 mBAR) 655-788-000 1" WC Droop	2	0.14			700 (18.8)	1000 (26.8)	1600 (42.9)
	5	0.34		700 (18.8)	1400 (37.5)	1900 (50.9)	2600 (70)
	10	0.69		1200 (32.2)	2300 (61.6)	3000 (80.4)	3500 (93.8)
	15	1.00	1050 (28.1)	1580 (42.30)	3000 (80.4)	3500 (93.8)	3500 (93.8)
	25	1.70	1400 (37.5)	2400 (64.3)	3500 (93.8)	3500 (93.8)	
	30	2.10	1550 (41.5)	2700 (72.4)	3500 (93.8)		
	60	4.10	2300 (61.6)	3500 (93.8)			
	80	5.17	3000 (80.4)				
	100	6.90	3200 (85.8)				
	125	8.60	3500 (93.8)				
7" WC Set (17 mBAR) 655-788-001 1" WC Droop	2	0.14					1400 (37.5)
	5	0.34			1100 (29.5)	1700 (45.6)	2000 (53.6)
	10	0.69		750 (20.1)	2100 (56.3)	2400 (64.3)	3500 (93.8)
	15	1.00	1000 (26.8)	1050 (28.1)	3000 (80.4)	3500 (93.8)	3500 (93.8)
	25	1.70	1250 (33.5)	1950 (52.3)	3500 (93.8)	3500 (93.8)	
	30	2.10	1500 (40.2)	2550 (68.3)	3500 (93.8)		
	60	4.10	2500 (67.0)	3500 (93.8)			
	80	5.17	2700 (72.4)				
	100	6.90	3500 (93.8)				
	125	8.60	3500 (93.8)				
11" WC Set (27 mBAR) 655-788-002 2" WC Droop	2	0.14			500 (13.4)	700 (18.8)	1200 (32.2)
	5	0.34			1100 (29.5)	1500 (40.2)	2100 (56.3)
	10	0.69			1750 (46.9)	2500 (67.0)	3500 (93.8)
	15	1.00		1200 (32.2)	2500 (67.0)	3400 (91.1)	3500 (93.8)
	25	1.70		1900 (50.9)	3500 (93.8)	3500 (93.8)	
	30	2.10	1500 (40.2)	2100 (56.3)	3500 (93.8)		
	40	2.80	1900 (50.9)	3200 (85.8)			
	60	4.10	2300 (61.6)	2620 (70.2)			
	80	5.17	2750 (73.7)				
	100	6.90	3400 (91.1)				
	125	8.60	3500 (93.8)				
20" WC Set (50 mBAR) 655-788-003 2" WC Droop	5	0.34				1000 (26.8)	1600 (42.9)
	10	0.69			1150 (30.8)	1850 (49.6)	2600 (69.7)
	15	1.00			1650 (44.2)	2700 (72.4)	3400 (91.1)
	25	1.70		1150 (30.8)	2700 (72.4)	3500 (93.8)	
	30	2.10	1200 (32.2)	1400 (37.5)	3200 (85.8)		
	40	2.80	1350 (36.2)	2000 (53.6)			
	60	4.10	1900 (50.9)	2900 (77.7)			
	80	5.17	2600 (69.7)				
	100	6.90	3000 (80.4)				
	125	8.60	3500 (93.8)				

1. Limited due to boost

- Shaded areas show where indicated droop would be exceeded regardless of capacity.
- Shaded areas show where maximum operating inlet pressure for a given port diameter is exceeded.

P303 Flow Capacities in SCFH (Nm³/h) of 0.6 Specific Gravity Natural Gas

Outlet Pressure, Spring Part Number, and Accuracy	Inlet Pressure		NPT 1-1/2 (DN40) & 2" (DN50) Body Size				
			Orifice Size, Inches (mm)				
	PSIG	BAR	3/16 (4.8)	1/4 (6.4)	3/8 (9.5)	1/2 (13)	3/4 (19)
5" WC Set (12 mBAR) 655-788-000 1" WC Droop	2	0.14			750 (20.1)	1150 (30.8)	1700 (45.6)
	5	0.34		700 (18.8)	1550 (41.5)	2250 (60.3)	3500 (93.8)
	10	0.69		1400 (37.5)	2600 (69.7)	3500 (93.8)	3500 (93.8)
	15	1.00	1080 (28.9)	1850 (49.6)	3500 (93.8)	3500 (93.8)	3500 (93.8)
	25	1.70	1450 (38.9)	2450 (65.7)	2300 (61.6)	2600 (69.7)	
	30	2.10	1600 (42.9)	2750 (73.7)	1900 (50.9)		
	60	4.10	2600 (69.7)	3500 (93.8)			
	80	5.17	3300 (88.4)				
	100	6.90	3500 (93.8)				
	125	8.60	3500 (93.8)				
7" WC Set (17 mBAR) 655-788-001 1" WC Droop	2	0.14					1400 (37.5)
	5	0.34			1200 (26.8)	2000 (53.6)	3200 (85.8)
	10	0.69		1000 (26.8)	2400 (64.3)	3500 (93.8)	3500 (93.8)
	15	1.00	1050 (28.1)	1400 (37.5)	3300 (88.4)	3500 (93.8)	3500 (93.8)
	25	1.70	1400 (37.5)	2400 (64.3)	3500 (93.8)	2600 (69.7)	
	30	2.10	1600 (42.9)	1700 (72.4)	2400 (64.3)		
	60	4.10	2600 (69.7)	3500 (93.8)			
	80	5.17	3300 (88.4)				
	100	6.90	3500 (93.8)				
	125	8.60	3500 (93.8)				
11" WC Set (27 mBAR) 655-788-002 2" WC Droop	2	0.14			500 (13.4)	800 (21.4)	1250 (33.5)
	5	0.34			1150 (30.8)	1700 (45.6)	2500 (67.0)
	10	0.69			2000 (53.6)	3100 (83.1)	3500 (93.8)
	15	1.00		1250 (33.5)	3000 (80.4)	3500 (93.8)	3500 (93.8)
	25	1.70		195 (52.3)	3500 (93.8)	3500 (93.8)	
	30	2.10	1500 (40.2)	2300 (61.6)	3500 (93.8)		
	40	2.80	1900 (50.9)	3200 (85.8)			
	60	4.10	2650 (71.0)	3500 (93.8)			
	80	5.17	3250 (87.1)				
	100	6.90	3500 (93.8)				
125	8.60	3500 (93.8)					
20" WC Set (50 mBAR) 655-788-003 3" WC Droop	5	0.34				1050 (28.1)	1800 (48.2)
	10	0.69			1300 (34.8)	1900 (50.9)	3100 (83.1)
	15	1.00			1900 (50.9)	2850 (76.4)	3500 (93.8)
	25	1.70		1250 (33.5)	3100 (83.1)	3500 (93.8)	
	30	2.10	1300 (34.8)	1600 (42.9)	3500 (93.8)		
	40	2.80	1650 (44.2)	2200 (59.0)			
	60	4.10	2300 (61.6)	3300 (88.4)			
	80	5.17	2800 (75.0)				
	100	6.90	3200 (85.8)				
125	8.60	3500 (93.8)					

1. Limited due to boost

- Shaded areas show where indicated droop would be exceeded regardless of capacity.
- Shaded areas show where maximum operating inlet pressure for a given port diameter is exceeded.

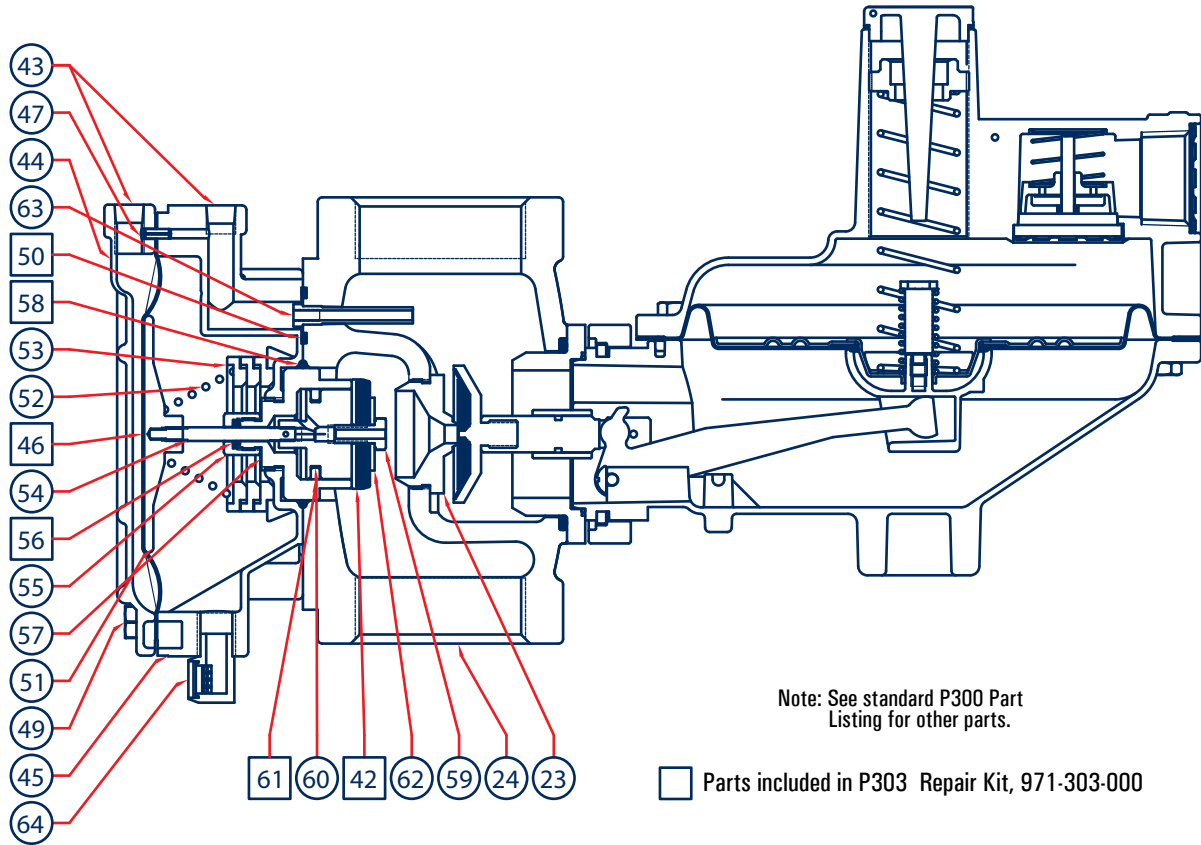
P303 Flow Capacities in SCFH (Nm³/h) of 0.6 Specific Gravity Natural Gas

Outlet Pressure, Spring Part Number, and Accuracy	Inlet Pressure		NPT 1-1/4 (DN32), 1-1/2 (DN40) & 2" (DN50) Body Sizes				
			Orifice Size, Inches (mm)				
	PSIG	BAR	3/16 (4.8)	1/4 (6.4)	3/8 (9.5)	1/2 (13)	3/4 (19)
1 PSIG Set (69 mBAR) 655-788-006 10% Droop	2	0.14	193 (5.2)	160 (4.3)	295 (7.9)	400 (10.7)	595 (15.9)
	5	0.34	300 (8.0)	381 (10.2)	440 (11.8)	748 (20.0)	1240 (33.2)
	10	0.69	450 (12.1)	465 (12.5)	690 (18.5)	1420 (38.1)	2200 (59.0)
	15	1.00	555 (14.9)	740 (19.8)	1290 (34.6)	2070 (55.5)	3350 (89.8)
	20	1.40	710 (19.0)	920 (24.7)	1880 (50.4)	2750 (73.7)	4500 (121.0)
	30	2.10	970 (26.0)	1160 (31.1)	3040 (81.5)	4180 (112.0)	5000 (134.0)
	40	2.80	1310 (35.1)	1620 (43.4)	4170 (112.0)	5000 (134.0)	5000 (134.0)
	60	4.10	1750 (46.9)	3300 (88.4)	5000 (134.0)	5000 (134.0)	
	80	5.17	2210 (59.2)	3400 (91.1)	5000 (134.0)		
	100	6.90	3100 (83.1)	3980 (107.0)			
	125	8.60	3760 (101.0)	3290 (88.2)			
3 PSIG Set (207 mBar) 655-788-007 10% Droop	4	0.28	303 (8.2)	207 (5.6)	478 (12.8)	548 (14.7)	1060 (28.4)
	5	0.34	374(10.0)	452 (12.1)	606 (16.2)	905 (24.3)	1290 (34.6)
	10	0.69	515 (13.8)	670 (18.0)	1130 (30.3)	1740 (46.6)	2450 (65.7)
	15	1.00	735 (19.7)	905 (24.3)	1680 (45.0)	2250 (60.3)	3230 (86.6)
	20	1.40	970 (26.0)	1030 (37.6)	2000 (53.6)	2770 (74.2)	4130 (111.0)
	30	2.10	1420 (38.1)	1755 (47.0)	2970 (79.6)	3870 (104.0)	5000 (134.0)
	40	2.80	1700 (45.6)	2200 (59.0)	4030 (108.0)	5000 (134.0)	5000 (134.0)
	60	4.10	2390 (64.1)	3070 (82.3)	5000 (134.0)	5000 (134.0)	
	80	5.17	3030 (81.2)	4000 (107.0)	5000 (134.0)		
	100	6.90	3550 (95.1)	4380 (117.0)			
	125	8.60	4180 (112.0)	4970 (133.0)			
1 PSIG Set (69 mBAR) 655-788-006 20% Droop	2	0.14	265 (7.1)	180 (4.8)	505 (13.5)	683 (18.3)	1060 (28.4)
	5	0.34	465 (12.5)	425 (11.4)	980 (26.3)	1390 (37.3)	2070 (55.5)
	10	0.69	730 (19.6)	905 (24.3)	1580 (42.3)	2270 (60.8)	3360 (90.0)
	15	1.00	1030 (27.6)	1360 (36.4)	2270 (60.3.8)	3160 (84.7)	4500 (121.0)
	20	1.40	1230 (86.6)	1660 (44.5)	3030 (81.2)	4000 (107.0)	5000 (134.0)
	30	2.10	1570 (42.1)	2320 (62.2)	4320 (116.0)	5000 (134.0)	5000 (134.0)
	40	2.80	1940 (52.0)	2940 (78.8)	5000/134.0)	5000 (134.0)	5000 (134.0)
	60	4.10	2650 (71.0)	4180 (112.0)	5000 (134.0)	5000 (134.0)	
	80	5.17	3230 (86.6)	4440 (119.0)	5000 (134.0)		
	100	6.90	3910 (105.0)	5000 (134.0)			
	125	8.60	4440 (119.0)	5000 (134.0)			
3 PSIG Set (207 mBar) 655-788-007 10% Droop	4	0.28	394 (10.6)	490 (13.1)	955 (25.6)	1290 (34.6)	1940 (52.0)
	5	0.34	485 (13.0)	645 (17.3)	1160 (31.1)	1610 (43.1)	2400 (64.3)
	10	0.69	825 (22.1)	1320 (35.4)	2040 (54.7)	2940 (78.8)	4260 (114.0)
	15	1.00	1060 (28.4)	1740 (46.6)	2640 (76.1)	3800 (102.0)	5000 (134.0)
	20	1.40	1250 (33.5)	2070 (55.5)	3430 (91.9)	4640 (124.0)	5000 (134.0)
	30	2.10	1570 (42.1)	2710 (72.6)	4780 (128.0)	5000 (134.0)	5000 (134.0)
	40	2.80	1940 (52.0)	3290 (88.2)	5000 (134.0)	5000 (134.0)	5000 (134.0)
	60	4.10	2630 (70.5)	4490 (120.0)	5000 (134.0)	5000 (134.0)	5000 (134.0)
	80	5.17	3290 (88.2)	5000 (134.0)	5000 (134.0)		
	100	6.90	4000 (107.0)	5000 (134.0)			
	125	8.60	4830 (129.0)	5000 (134.0)			

1. Limited due to boost

- Shaded areas show where indicated droop would be exceeded regardless of capacity.
- Shaded areas show where maximum operating inlet pressure for a given port diameter is exceeded.

P303 Parts List



Item	Description	Qty.	Part Number
Orifices			
23	1/4" Aluminum	1	688-061-000
	3/8" Aluminum	1	688-061-001
	1/2" Aluminum	1	688-061-002
	3/4" Aluminum	1	688-061-003
Body			
24	Iron 1.5" NPT	1	664-396-000
	Iron 1.5" x 2" NPT	1	664-396-001
	Iron 2" NPT	1	664-384-000
	Iron 2" , 125 FF	1	664-385-000
P303 Monitor Parts Only - See P303 for other Parts			
42	Disk Holder Assembly	1	822-044-000
43	Pipe Plug	2	639-000-054
44	Monitor Spring Case	1	604-264-000
45	Monitor Lower Case	1	629-237-000
46	Diaphragm	1	618-101-000
47	Roll Pin	1	635-074-000
48	Cap Screw (Not Shown)	4	648-466-009

Item	Description	Qty.	Part Number
P303 Monitor Parts Only - See P300 for other Parts			
49	Cap Screw	8	648-466-000
50	O-ring	1	649-000-185
51	Diaphragm Plate	1	638-079-000
Monitor Springs			
52	Green Spring (See Monitor Data Table)	1	655-746-000
	Red Spring (See Monitor Data Table)	1	655-746-001
	Blue Spring (See Monitor Data Table)	1	655-746-002
	Silver Spring (See Monitor Data Table)	1	655-746-003
53	Lower Spring Seat (See Monitor Data Table)	1 or 2	650-178-000
54	Piston Assembly	1	809-237-000
55	O-ring Retainer	1	643-206-000
56	Piston Assembly O-ring	1	649-000-001
57	Piston Guide	1	626-112-000
58	Piston Guide O-ring	1	649-309-003
59	Disk Holder Screw	1	648-545-000
60	Piston Ring Expander	1	644-062-000
61	Piston Ring	1	644-063-000
62	Washer	1	662-236-002
63	Pilot Tube	1	660-082-000
64	Vent Assembly	1	836-004-001

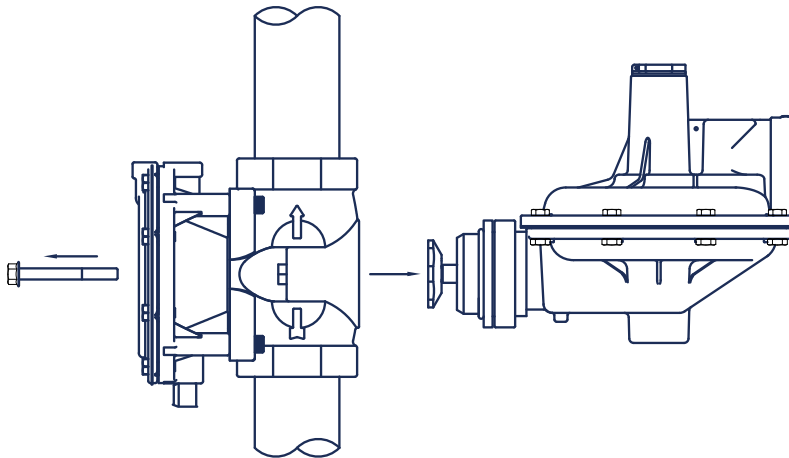
Interchangeability between the BelGAS P203 series and the P303 series

The unique feature about the BelGAS P303 regulator is that it utilizes the BelGAS P203 series bodies using a simple adaptor ring. The simplicity of down-sizing a system when a BelGAS P203 unit is installed is as easy as removing

the 2 body-to-head bolts and installing a BelGAS P303 head with the appropriate adaptor and bolts. Or, if a 1.5" x 2" or 2" x 2" BelGAS P303 is installed, the BelGAS P303 head can be removed and a BelGAS P203 head installed to up-size your system.

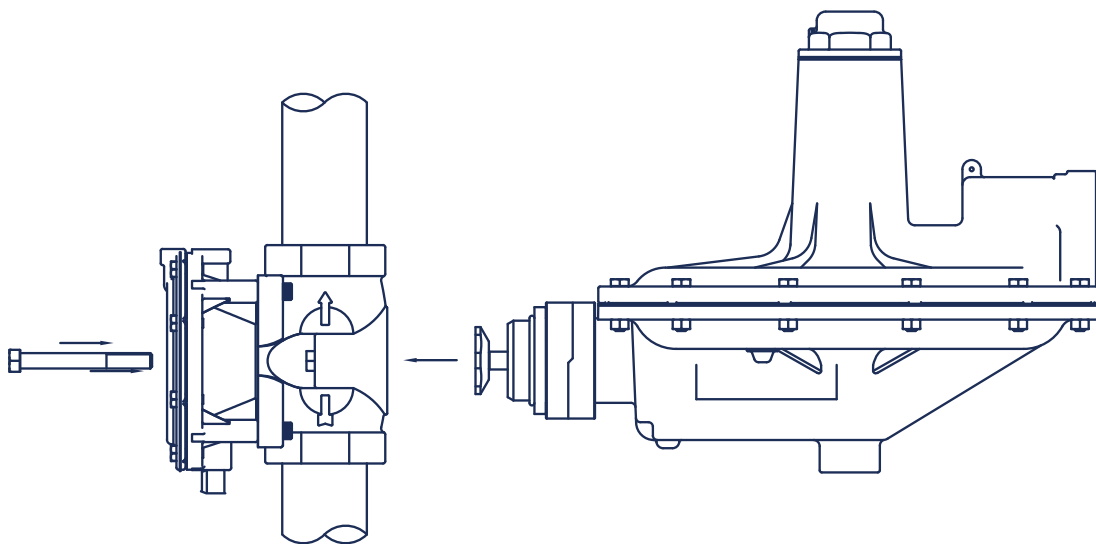
It is important to know, a P303 head can be mounted to a P203 2" body with the appropriate adaptor and bolts. A P200 head cannot be mounted to any existing P303 body unless confirmed to be a BelGAS 2" P203/P303 body.

Remove the BelGAS 2" P303 head



1. REMOVE BOLTS AND P303 FROM BODY, AND REMOVE FROM LINE.

Install the BelGAS P203 head



2. USE BOLTS SUPPLIED WITH HEAD ONLY VERSION TO ATTACH TO BODY ALREADY INSTALLED.