

ML Series-REV. D* 2"-12"

Iron Butterfly Valve

200 psi Non-Shock WOG

U Series With Undercut Disc Available @ 50 psi

Bi-Directional Dead End Service to 200 psi Max

BUNA & EPDM Only. All others 150 psi Uni-Directional

Specifications: API-609 MSS SP-67 Type 1



ABS Type Approved; Cat. A
CFR-46

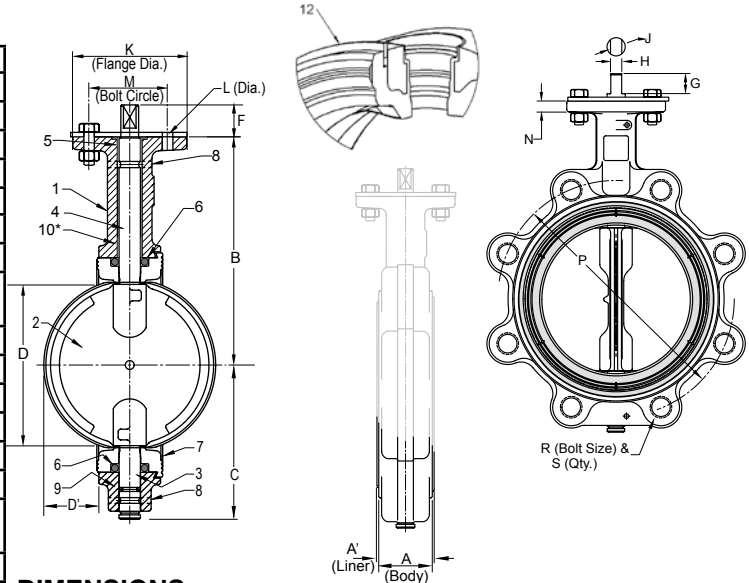
MATERIALS LIST

ITEM	PART	MATERIALS
1	BODY	CAST IRON ASTM A126 CL. B
		CAST IRON EPOXY COATED
		DUCTILE IRON ASTM A536
		DUCTILE IRON-EPOXY COATED
2	DISC	DUCTILE IRON-NYLON COATED
		NP DUCTILE IRON ASTM A536
		ALUMINUM BRONZE ASTM B148
		STAINLESS STEEL ASTM A351 CF8M
		NYLON COATED DUCTILE IRON
3	BOTTOM STEM	STAINLESS STEEL TYPE 416
		STAINLESS STEEL TYPE 316 (2)
4	TOP STEM	STAINLESS STEEL TYPE 416
		STAINLESS STEEL TYPE 316 (2)
5	TOP BEARING	REINFORCED NYLON
6	SEAL	EPDM, BUNA, VITON (1)
7	LINER	BUNA
		EPDM
		VITON
		HYPALON
		NEOPRENE BLACK-FDA
		NEOPRENE WHITE-FDA
8	ROLL PIN	STAINLESS STEEL
9	STEM SEAL	EPDM, BUNA, VITON (1)
10	LOWER BEARING	REINFORCED NYLON
11	OPERATOR	LEVER HANDLE
		EPOXY COATED LEVER HANDLE
		GEAR OPERATOR
		GEAR OPERATOR WITH MEMORY STOP
		GEAR OPERATOR WITH LOCK
		ACTUATOR-AIR/AIR
ACTUATOR-AIR/SPRING		
ACTUATOR-ELECTRIC		
12	RETAINING RING	1066 SPRING STEEL (65Mn)

(1) - VITON O-RINGS ARE USED WITH HYPALON, NEOPRENE, AND TEFLON LINERS.

(2) 316 STEM USED WITH CF8M DISC

** EPDM AND BUNA LINER ONLY



DIMENSIONS

	VALVE SIZE									
	INCHES DN	2	2-1/2	3	4	5	6	8	10	12
A (Body)	INCHES	1.69	1.81	1.81	2.07	2.19	2.19	2.38	2.69	3.06
	mm	43	46	46	52	55	55	60	68	78
A ¹ (Liner)	INCHES	1.82	1.94	1.94	2.20	2.32	2.32	2.51	2.82	3.21
	mm	46	49	49	55	58	58	63	71	82
B	INCHES	5.50	6.00	6.25	7.00	7.53	8.00	9.38	10.56	12.06
	mm	139	152	158	177	191	203	238	268	306
C	INCHES	3.06	3.31	3.75	4.25	4.94	5.56	5.56	7.88	9.25
	mm	77	84	95	108	125	141	166	200	235
D (Chord Dia)	INCHES	1.49	2.01	2.64	3.67	4.71	5.66	7.72	9.70	11.68
	mm	37	51	67	93	119	143	196	246	296
D ¹ (Intrusion)	INCHES	0.28	0.44	0.69	1.06	1.50	1.94	2.84	3.69	4.50
	mm	7	11	17	27	38	49	72	93	114
F	INCHES	1.13	1.13	1.13	1.13	1.13	1.13	1.50	1.50	1.50
	mm	28	28	28	28	28	28	38	38	38
G	INCHES	0.81	0.81	0.81	0.81	0.81	0.81	1.06	1.06	1.06
	mm	20	20	20	20	20	20	27	27	27
H	INCHES	0.35	0.35	0.35	0.40	0.40	0.44	0.53	0.71	0.71
	mm	8	8	8	10	10	11	13	18	18
J	INCHES	0.50	0.50	0.50	0.56	0.56	0.62	0.75	1.00	1.00
	mm	12	12	12	14	14	14	19	25	25
K	INCHES	4	4	4	4	4	4	6	6	6
	mm	101.6	101.6	101.6	101.6	101.6	101.6	152.4	152.4	152.4
L (Dia)	INCHES	0.44	0.44	0.44	0.44	0.44	0.44	0.56	0.56	0.56
	mm	11	11	11	11	11	11	14	14	14
M	INCHES	3.25	3.25	3.25	3.25	3.25	3.25	5.00	5.00	5.00
	mm	82	82	82	82	82	82	127	127	127
N	INCHES	0.44	0.44	0.44	0.44	0.44	0.44	0.50	0.50	0.50
	mm	11	11	11	11	11	11	12	12	12
P	INCHES	4.75	5.50	6.00	7.50	8.50	9.50	11.75	14.25	17.00
	mm	120	139	152	190	215	241	298	362	431
R	INCHES	5/8-11	5/8-11	5/8-11	5/8-11	3/4-10	3/4-10	3/4-10	7/8-9	7/8-9
	mm	15.875	15.875	15.875	15.875	19.05	19.05	19.05	23.8125	23.8125
S	INCHES	4	4	4	8	8	8	8	12	12
	mm	101.6	101.6	101.6	203.2	203.2	203.2	203.2	304.8	304.8

***Note:** The wetted surface of this product (In any material combination.) contacted by consumable water contains less than one quarter of one percent (.25%) of lead by weight.

***Recommend Aluminum Bronze Disc in Water Service.

The information presented on this sheet is correct at time of publication. Milwaukee Valve reserves the right to change design and/or materials without notice. For our Installation, Operation and Maintenance Manual and the most current product information go to www.milwaukeevalve.com.

⚠ State of California Prop 65 **WARNING:** Cancer and Reproductive Harm. For more information visit www.p65warnings.ca.gov.

