

# P100SX Slam Shut Pressure Regulator

The P100SX slam shut pressure regulator is ideal for natural gas, air, propane, and general-purpose gas pressure regulation. The P100SX is a double stage regulator providing token relief, excess flow, over pressure shut off, and under pressure shut off protection. The most common use is residential and light commercial systems.

## Over Pressure Shut Off Device (OPSO)

The P100SX regulator is equipped with an over pressure shutoff device, which intervenes by closing the flow of gas towards the system, when the regulator exceeds a certain value. The OPSO pressure is indicated on the nameplate of the regulator.

## Warning!

The over pressure blocking device does not reset if the cause of the over pressure has not been eliminated downstream of the regulator.

## Under Pressure Shut Off and Max Flow Device (UPS0)

The P100SX works regularly at nominal flow declared on the regulator nameplate. With higher flow rates between 110% and 200% of the nominal flow, the blocking device for maximum flow intervenes. The same blocking device also intervenes if lower flow rates are delivered but with outlet pressure lower than 70% of the nominal value. The operating pressure of the UPS0 is indicated on the nameplate.



## Materials of Construction

Body	Aluminum
Cover	Aluminum
Diaphragm	Nitrile
Seat	Nitrile
Spring	Stainless Steel

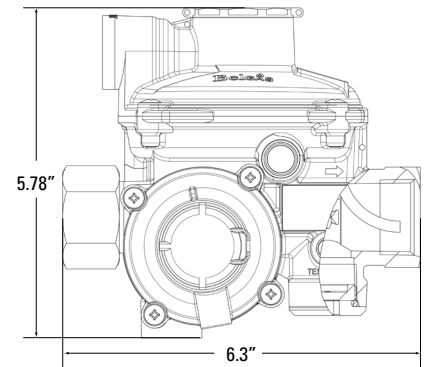
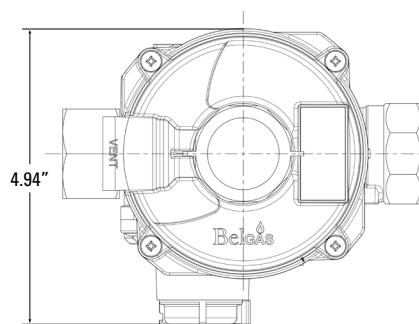
## Specifications

Inlet/Outlet	3/4" x 3/4", 1" x 1"
Maximum Allowable Inlet	125 PSI
Temperature Range	-20 to 150°F
EN334 & EN 14382	

## P100SX Ordering Options

BeIGAS Part Number	Port Size (NPT)	Direction	Setpoint	Relief Valve	Excess Flow	OPSO	UPS0
P100SX08007UA09	1"	In-line	7" WC	X	X	X	X
P100SX08002UA09	1"	In-line	2 PSI	X	X	X	X
P100SX08002EA09	1"	In-line	2 PSI	X	X	X	
P100SX08007RA09	1"	In-line	7" WC	X		X	X
P100SX06007UA09	3/4"	In-line	7" WC	X	X	X	X
P100SX06002UA09	3/4"	In-line	2 PSI	X	X	X	X
P100SX06007EA09	3/4"	In-line	7" WC	X	X	X	
P100SX08007NA09	1"	In-line	7" WC		X	X	X
P100SX08002NA09	1"	In-line	2 PSI		X	X	X
P100SX08007UD09	1"	Angle	7" WC	X	X	X	X
P100SX08002UD09	1"	Angle	2 PSI	X	X	X	X
P100SX08002ED09	1"	Angle	2 PSI	X	X	X	
P100SX08007RD09	1"	Angle	7" WC	X		X	X
P100SX06007UD09	3/4"	Angle	7" WC	X	X	X	X
P100SX06002UD09	3/4"	Angle	2 PSI	X	X	X	X

## P100SX Standard



7" w.c. Capacity Table (limits: +2" / -1") with Excess flow valve		
Inlet Pressure		2nd Stage Oriface Size: 1/2"
PSIG	BAR	SCFH
0.5	0.038	385
1	0.069	475
2	0.1	543
3	0.2	815
5	0.3	1132
10	0.7	1358
15	1.0	1403
20	1.4	1539
30	2.1	1539
40	2.8	1539
50	3.5	1539
60	4.1	1539
80	5.5	1539
100	6.9	1539
125	8.6	1539

7" w.c. Capacity Table (limits: +2" / -1") without Excess flow valve		
Inlet Pressure		2nd Stage Oriface Size: 1/2"
PSIG	BAR	SCFH
0.5	0.038	407
1	0.069	498
2	0.1	566
3	0.2	860
5	0.3	1177
10	0.7	1494
15	1.0	1593
20	1.4	1630
30	2.1	1630
40	2.8	1675
50	3.5	1675
60	4.1	1675
80	5.5	1675
100	6.9	1675
125	8.6	1675

2 PSI Capacity Table (Limits +1% of Absolute Pressure) With Excess Flow Valve		
Inlet Pressure		2nd Stage Oriface Size: 1/2"
PSIG	BAR	SCFH
3	0.2	634
5	0.3	1132
10	0.7	1449
15	1.0	1539
20	1.4	1539
30	2.1	1539
40	2.8	1539
50	3.5	1539
60	4.1	1539
80	5.5	1539
100	6.9	1539
125	8.6	1539

Inlet Size	1" NPT
Outlet Size	1" NPT
Spring Range	6" to 8" W.C.
Excess Flow Device	+10% to +50% of Nominal
OPSO Setting	16" W.C. ±10%
UPSO Setting	3" W.C. +25%

Inlet Size	1" NPT
Outlet Size	1" NPT
Spring Range	6" to 8" W.C.
OPSO Setting	16" W.C. ±10%
UPSO Setting	3" W.C. +25%

Inlet Size	1" NPT
Outlet Size	1" NPT
Spring Range	1,5 to 2, 5 PSI
Excess Flow Device	+10% to +50% of Nominal
OPSO Setting	4, 5 PSI 10%
UPSO Setting	3" W.C. +25%