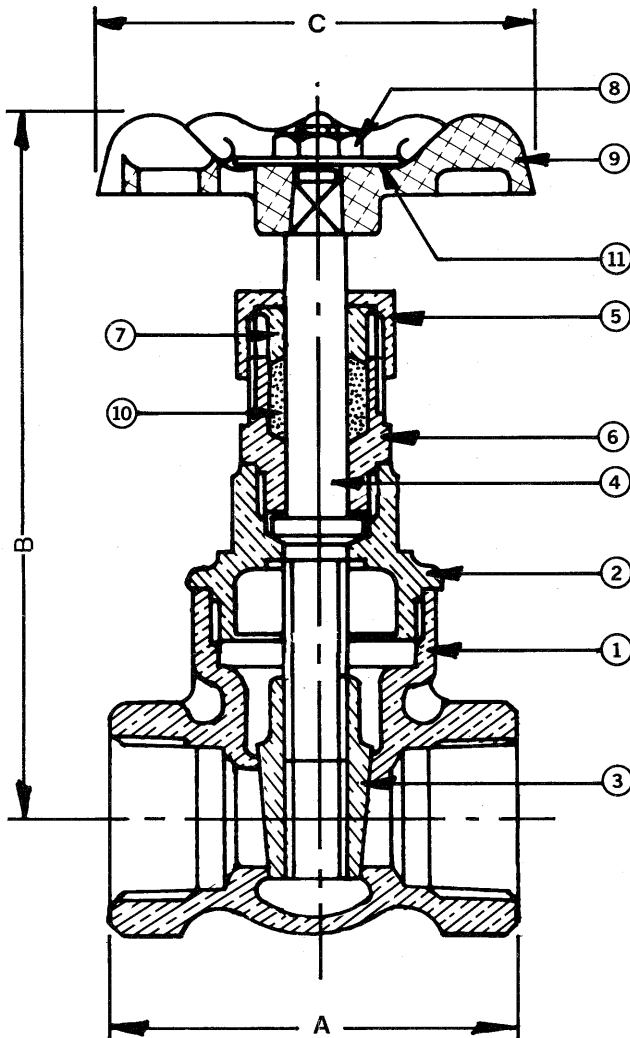


105 1/4"-4"

Bronze Gate Valve
125 SWP-200 WOG †
Non-Rising Stem 1/4" - 3" • Rising Stem 4"
Solid Wedge Disc
Threaded Bonnet • Threaded Ends
Conforms to: MSS SP-80*



Note: Not intended for use in potable water.

MATERIAL LIST			
No.	PART	MATERIAL	SPECIFICATION
1	Body	Bronze	ASTM B62
2	Bonnet	Bronze	ASTM B62
3	Wedge	Bronze	ASTM B62
4	Stem	Bronze	ASTM B62
5	Packing Nut	Brass	ASTM B283 C37700
6	Stuffing Box	Brass	ASTM B283 C37700
7 ¹	Gland	Brass	ASTM B283 C37700
8	Handwheel Nut	Brass	Commercial
9	Handwheel	Mall. Iron	Commercial
10	Packing	Graphite	Commercial
11	Name Plate	Sh. Alum	Commercial

¹ Not used on 1/2" and smaller

DIMENSIONS - INCHES/MILLIMETERS					
Units	Size	A	B	C	C _v
Inches mm	1/4	1.75 45	3.63 92	2.00 51	5.6
Inches mm	3/8	1.81 46	3.63 92	2.00 51	10.7
Inches mm	1/2	2.00 51	3.63 92	2.00 51	17.6
Inches mm	3/4	2.18 55	4.38 111	2.50 64	32.0
Inches mm	1	2.56 65	5.00 127	2.75 70	54.0
Inches mm	1 1/4	2.78 71	5.31 135	3.44 87	97.0
Inches mm	1 1/2	2.81 72	6.34 161	3.75 95	135.0
Inches mm	2	3.31 84	7.44 189	3.75 95	230.0
Inches mm	2 1/2	4.19 106	9.13 232	4.75 121	337.0
Inches mm	3	4.63 118	10.47 266	5.25 133	536.0
Inches mm	4	5.50 140	15.50 394	5.25 133	960.0

† Non-Shock

* 4" is not covered in MSS SP-80

INNOVATION IN EVERY VALVE

The information presented on this sheet is correct at time of publication. Milwaukee Valve reserves the right to change design and/or materials without notice. For our Installation, Operation and Maintenance Manual and the most current product information go to www.milwaukeevalve.com. State of California Prop 65
WARNING: Cancer and Reproductive Harm. For more information visit www.p65warnings.ca.gov.

MILWAUKEE VALVE